

Benefits You Can Depend On

- Energy efficient: use up to 30% less energy
- Brings you only the heat you need, when you need it, and adjusts automatically to save you money
- You define your comfort—maintains your room temperature within one degree
- Our most thoughtful design features:
 - Large digital display shows your room temperature and heating mode
 - Easy, intuitive one-touch controls
 - Night/Away and Max/Min options for extra savings and safety
 - Improve air circulation and add comfort in off-season with three fan-only speeds
 - Easily replaces many Com-Pak Series heaters: C, CB, CM, CS or X
- Eliminate guesswork with smart power supply sensor that self adjusts to your voltage
- Automatic high temperature safety shutoff
- Your Energy Plus heater has been thoroughly tested and is guaranteed with a **limited 5-year warranty**

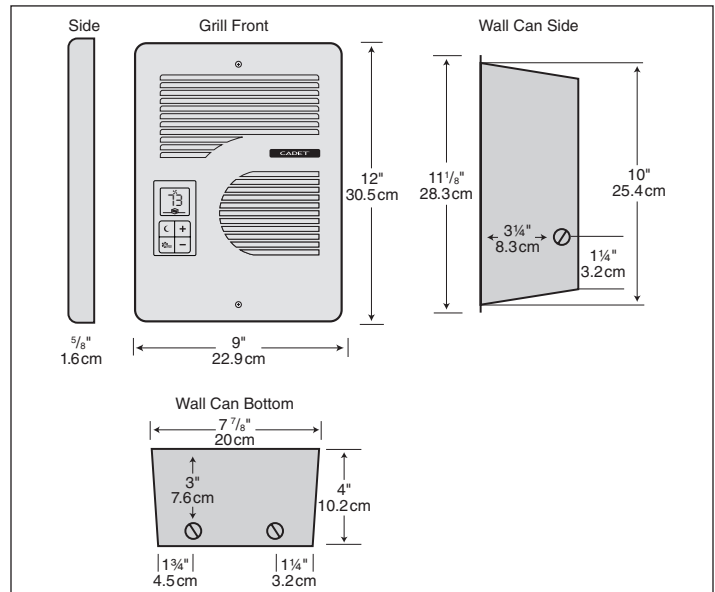
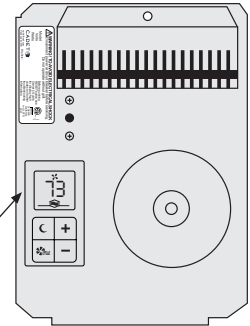
Energy Plus Models			
Line Voltage	Models	Watts	Amps
120	CE163T	1000	8.3
208		1500	7.2
240		1600	6.7
240 only	CE162T	1600	6.7
208 only	CE168T	1600	7.7
120	CE083T	500	4.2
208		750	3.6
240		800	3.3

Energy Plus Model With Built-In Controller

Wall Thermostat Not Required

Rating Label

Controller with Digital Display and Push Buttons



COM-PAK

Energy Plus

TOOLS REQUIRED:

- Phillips Screwdriver
- Straight Screwdriver
- Wire Strippers

- Utility Knife
- (4) 1 1/2" Wood Screws
- (2) Insulated Wire Connectors
- (1) Strain Relief Connector



tested to UL standards

SAVE THESE INSTRUCTIONS

IMPORTANT INSTRUCTIONS

⚠️ WARNING

When using electrical appliances, basic precautions should always be followed to reduce the risk of fire, electric shock, and injury to persons, including the following:

1. Read all instructions before installing or using this heater.

2. ⚠️ WARNING

Risk of Fire. This heater is hot when in use. Caution—High Temperature. Risk of Fire. Keep electrical cords, drapery, furnishings, and other combustibles at least 3 feet (0.9 m) from the front of the heater and 6 inches (15.2 cm) above and on both sides.

3. ⚠️ WARNING

Burn Hazard. To avoid burns, do not let bare skin touch hot surfaces. Extreme caution is necessary when any heater is used by or near children or invalids and whenever the heater is left operating and unattended.

4. ⚠️ WARNING ⚠️

Risk of Electrical Shock. Do not operate any heater after it malfunctions. Disconnect power at service panel and have heater inspected by a qualified electrician before reusing.

5. ⚠️ WARNING

Do not use outdoors.

6. To disconnect heater, turn controls to off, and turn off power to heater circuit at main disconnect panel.

7. ⚠️ WARNING ⚠️

Risk of Electrical Shock. Do not insert or allow foreign objects to enter any ventilation or exhaust opening as this may cause an electric shock or fire, or damage the heater.

8. ⚠️ WARNING

Risk of Fire. To prevent a possible fire, do not block air intakes or exhaust in any manner.

9. ⚠️ WARNING

Fire or explosion may occur. A heater has hot and arcing or sparking parts inside. Do not use it in areas where gasoline, paint, or flammable vapors or liquids are used or stored.

10. Use this heater only as described in this manual. Any other use not recommended by the manufacturer may cause fire, electrical shock, or injury to persons.

11. The heater must be properly installed before it is used.

12. ⚠️ WARNING ⚠️

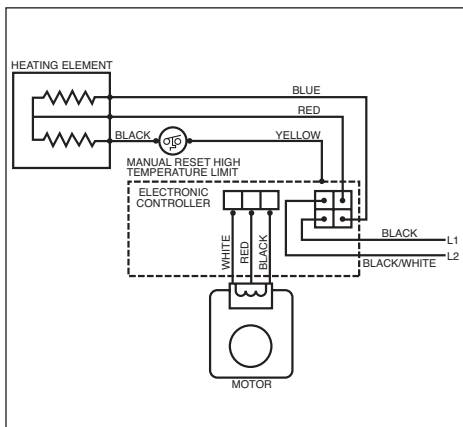
Risk of Electrical Shock and Fire. Do not operate without grill.

13. Save these instructions.

Wiring Diagrams

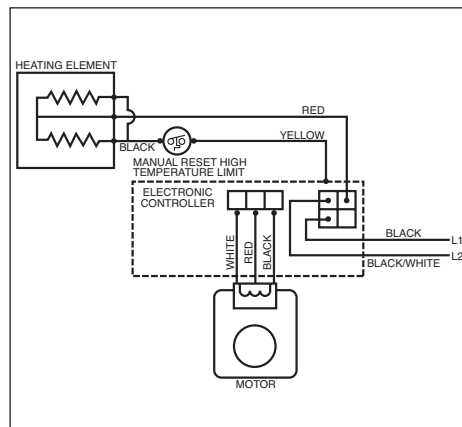
CE163T/CE083T Multi-Volt

120, 208 or 240 Volt Power Supply



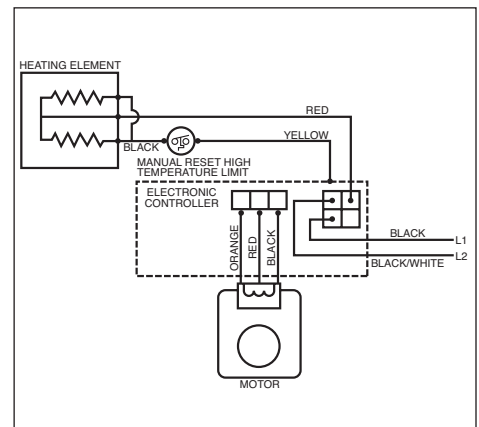
CE162T

240 Volt Power Supply



CE168T

208 Volt Power Supply



SAVE THESE INSTRUCTIONS

Before you begin, you should know...



...about the Cadet Energy Plus heater

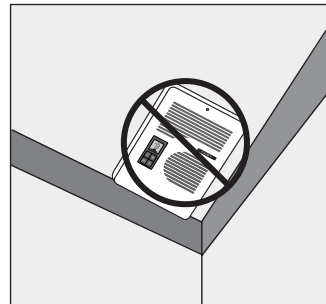
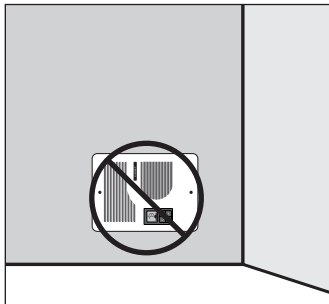
The Cadet Energy Plus Heater provides comfort to a room by using an efficient, variable speed fan to circulate the warm air, and an intelligent thermostat to deliver precise temperature control.

Your heater is designed to save energy and run at a low speed once the desired room temperature is reached. This is normal operation that reduces on/off cycles and improves overall performance and comfort.

Your heater also has a cool down feature that may run the fan for up to 10 minutes after switching to STOP HEATING/NO FAN mode. This is typical. The air coming out of the heater may feel cool, but it's actually residual heat moving into the room.

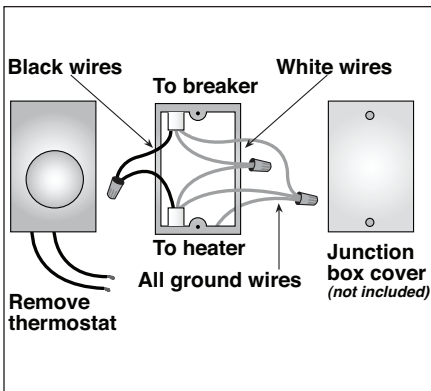
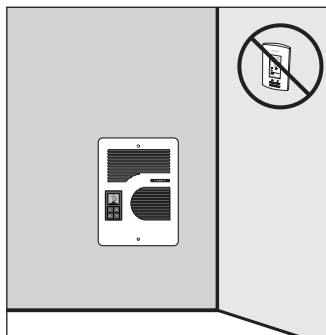
...some installation facts

- Install vertically only. The recommended height is 24 inches (61 cm) from the floor to the bottom of the wall can.
- The heater must not be installed in the floor or ceiling, even if you are replacing an existing heater that was installed in either of these locations.
- Installation on an inside wall is recommended.



...a wall thermostat may not be used

Your Energy Plus heater is equipped with a unique built-in thermostat that both regulates the heat output and provides precise temperature control. If replacing a heater controlled by an existing wall thermostat, remove wall thermostat from the heater circuit and cover the hole with a faceplate.



TO REMOVE AN EXISTING WALL THERMOSTAT FROM HEATER CIRCUIT

1. Make sure power is off at the main disconnect panel.
2. Remove wall thermostat mounting screws.
3. Pull the thermostat away from the wall and count the wires.
4. A. If you count 2 black supply wires and 2 white supply wires in the box, disconnect thermostat and connect the 2 black wires together with a wire connector (not included). Connect the 2 white wires together with another wire connector (not included). Connect all ground wires together.
B. If you have 1 black supply wire and 1 white supply wire, disconnect thermostat and connect the black and white wires together with a wire connector (not included). Connect all ground wires together.
C. If you have more than 2 black or 2 white wires, please consult a qualified electrician.
5. If you have a metal junction box, it must be grounded (use a grounding screw or clip).
6. Install a blank faceplate (not included) over the exposed junction box.

INSTALLATION INSTRUCTIONS

1. ⚠️ WARNING

Verify that the electrical supply wires are the same voltage as the heater.

2. If replacing an existing heater, check the label of the old heater for voltage and wattage information.

3. All electrical work and materials must comply with the National Electric Code (NEC), the Occupational Safety and Health Act (OSHA), and all state and local codes.

4. If you need to install a new circuit or need additional wiring information, consult a qualified electrician.

5. Use copper conductors only.

6. ⚠️ WARNING ⚠️

Risk of Electrical Shock. DO NOT install the heater directly above bathtub or sink. DO NOT install in shower stall area (Manufacturer recommends a minimum 2 foot (61 cm) clearance).

7. Heater must be installed in a wall can:

Model CE Wall Can CC

8. ⚠️ WARNING

Risk of Fire. DO NOT install the heater in a floor, in the ceiling, below a towel bar, behind a door, or anywhere the air discharge may be blocked in any manner.

9. ⚠️ WARNING

Fire or Explosion May Occur. A heater has hot and arcing or sparking parts inside. Do not use it in areas where gasoline, paint, or flammable vapors or liquids are used or stored.

10. ⚠️ WARNING ⚠️

Risk of Electrical Shock. Connect grounding lead to grounding screw provided. Keep all foreign objects out of heater.

11. ⚠️ WARNING

Risk of Fire. This heater is hot when in use. Caution—High Temperature. Risk of Fire. Keep electrical cords, drapery, furnishings, and other combustibles at least 3 feet (0.9 m) from the front of the heater and 6 inches (15.2 cm) above and on both sides.

Part One

REPLACEMENT: If you are replacing an existing Com-Pak model, proceed to Part Two, page 5. Confirm that your existing wall can is mounted flush with outside of sheetrock. Adjust if necessary.

PLACEMENT: Install vertically. Heater is not approved for horizontal or ceiling mount applications. ADA requirements are met if the heater is installed between 12½ inches (31.8 cm) and 42 inches (1.1 m) from the floor. The recommended height is 24 inches (61 cm) from the floor to the bottom of the wall can (See Figure 4).

CONTROLS: A built-in digital thermostat is included. May not be used with a wall thermostat.

How do I install for new construction?

STEP 1 Mount The Wall Can

REQUIRED MINIMUM distance of ¾ inches (1.9 cm) from adjacent surfaces, such as walls, and 4½ inches (11.4 cm) from the floor (See Figure 4). Cadet recommends 24 inches (61 cm) from floor for optimum performance. Heaters must be spaced at least 3 feet (0.9 m) apart.

Secure the wall can to the stud with 2 screws (not included). (See Figures 1 and 2). As an option, the rubber shim provided may be attached to side of wall can to square the wall can to the stud.

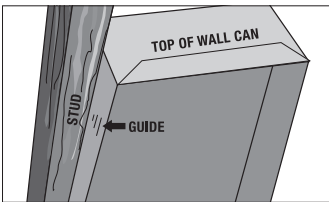


Figure 1

Face of wall can must extend ½ inch (1.3 cm) or ⅝ inch (1.6 cm) from face of stud to allow for thickness of sheetrock.

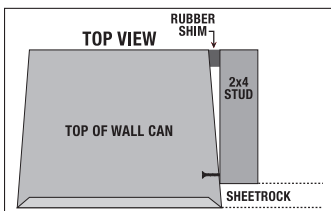


Figure 2

Attach wall can to stud with screws (not included) through holes provided in wall can. **IMPORTANT:** wall can should be mounted flush with outside of sheetrock.

STEP 2 Route Supply Wires

Route supply wire from the circuit breaker to the heater. Remove a knockout from the wall can and attach the supply wire with a strain relief connector (not included) leaving a minimum of 6 inches (15.2 cm) wire lead. Connect supply ground wire to grounding screw in wall can (See Figure 3).

Proceed to Part Two.

How do I install in an existing wall?

STEP 1 Cut A Hole In The Wall

REQUIRED MINIMUM distance of ¾ inches (1.9 cm) from adjacent surfaces, such as walls, and 4½ inches (11.4 cm) from the floor (See Figure 4). Cadet recommends 24 inches (61 cm) from floor for optimum performance. Heaters must be spaced at least 3 feet (0.9 m) apart.

Cut a hole 8 inches (20.3 cm) wide by 10¼ inches (26 cm) high next to a wall stud.

STEP 2 Route Supply Wires

Route supply wire from the circuit breaker to the heater. Remove a knockout from the wall can and attach the supply wire with a strain relief connector (not included) leaving a minimum of 6 inches (15.2 cm) wire lead. Connect supply ground wire to grounding screw in wall can (See Figure 3).

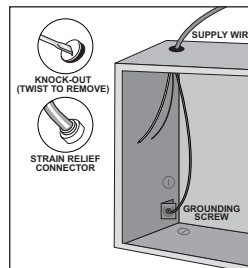


Figure 3

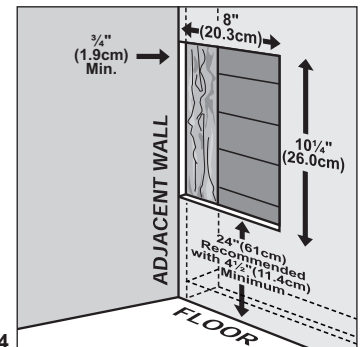


Figure 4

STEP 3 Mount The Wall Can

Insert wall can into opening; keeping wall can flush with wall surface. Secure can to wall stud with 2 screws (not included) through holes provided in can. **IMPORTANT:** wall can should be mounted flush with outside of sheetrock.

Proceed to Part Two.

INSTALLATION INSTRUCTIONS (continued)

Part Two

How do I insert the heater assembly into the wall can?

STEP 1 Install Heater Assembly

Turn heater assembly so that the front is facing the floor (element down with motor facing up). You can then rest the bottom edge of the heater assembly on the bottom of the wall can while supporting the edge closest to you.

Connect the supply wires to the heater wires with wire connectors (not included). (See Figure 5 or Figure 6). Now rotate heater assembly into wall can so that the bottom edge drops into the half round slots in bottom lip of wall can (See Figure 7).

IMPORTANT: Push wires into bottom and left side of wall can during insertion. Be sure supply wires are not caught between motor and wall can.

After confirming that the bottom edge of heater is positioned in the slots in bottom lip of wall can, attach assembly at top with screw provided.

STEP 2 Install Grill

Align digital display with grill cutout before tightening with grill screws provided. Do not overtighten (See Figure 8).

STEP 3 Installation

Turn electrical power back on at the main disconnect panel. WAIT 10-15 seconds for heater to power-up before pushing any buttons.

The CE163T and CE083T Energy Plus heaters are equipped with a smart sensor that will auto-adjust to your voltage supply. No need to worry about whether you have 120 or 240 volts.

If the heater has been properly installed:

Display will read "88" for a moment; then flash the temperature set point if in HEAT mode; or 0, 1, 2, or 3 if in FAN ONLY mode.

After approximately 10 seconds, room temperature will be displayed. Proceed to OPERATING INSTRUCTIONS.

If the CE162T or CE168T is installed to the incorrect voltage, a Fault Code will display (See Fault Codes, page 7).

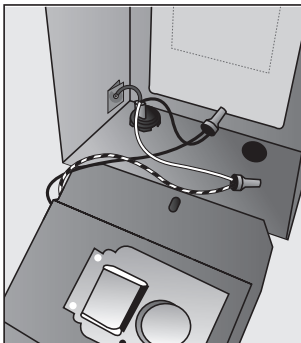


Figure 5
(Single Heater 120/208/240V)

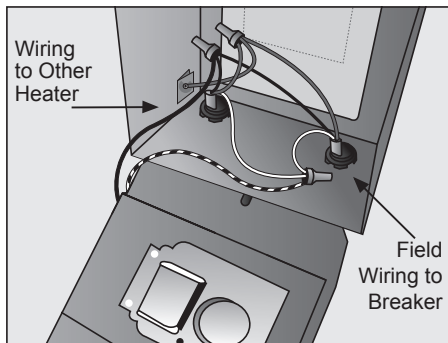


Figure 6
(Multiple Heaters on a branch circuit,
208 or 240V ONLY)

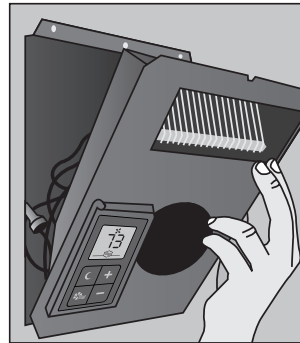


Figure 7

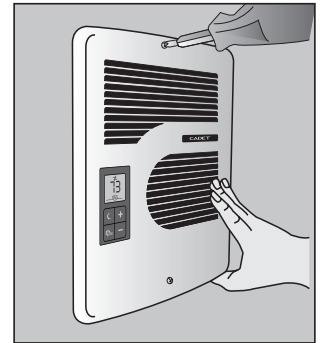


Figure 8

OPERATING INSTRUCTIONS

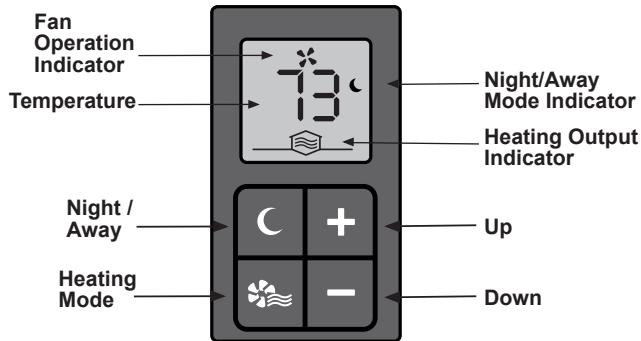
⚠ WARNING Risk of Electrical Shock and Fire.
The heater must be properly installed before it is used.

1. Do not operate without grill.
2. Keep electrical cords, drapery, furnishings and other combustibles at least 3 feet (0.9 m) away from the front of the heater and 6 inches (15.2 cm) away from the sides.
3. Do not tamper with the over temperature limit control.
4. If the heater over temperature limit trips more than once per day, the heater must be replaced.
5. Clean heater at least every six months.

6. After allowing the heater to cool, turn power off at circuit breaker panel before removing grill.
7. Use a hair dryer or vacuum on blow cycle to blow debris through the top element (do not touch element).
8. Install the grill before turning on power.

⚠ WARNING: Any other service not detailed in this Owner's Guide should be performed by an authorized service representative.

Digital Display and Control Buttons



FAN ONLY MODE

The FAN ONLY mode can circulate air but will not supply heat. Press until display shows '0'. Push to choose 1 for low speed, 2 for medium speed, or 3 for high speed.



Fan Only / High Speed

PROGRAMMING NIGHT/AWAY SET POINT

Preset a night or away temperature set point, for quick and easy "one-touch" energy savings.

- Press mode button until display shows room temperature.
- Press night button. The moon icon will show in display screen. The "night/away" set point temperature will briefly flash.
- Press up or down to adjust night/away set point.
- To exit the night/away mode when you awake or return, press the night again. The moon icon will no longer be in display screen.
- To return to your previous night/away set point, simply press the night button.



Night/Away Mode

HEATER MODES

Use the mode button to alternate between HEAT (display shows room temperature), STOP HEATING/NO FAN (display shows 0), and FAN ONLY (display shows 1, 2 or 3).

HEAT MODE

Your Energy Plus heater has a unique variable speed blower that auto adjusts heat output based on the room's requirements. Once you set your desired temperature, the heater will vary the wattage output for maximum efficiency.

The digital display will show the level of heat being output to maintain the room's temperature.



Heating Full Power Heating Mid Power Heating Low Power

START HEATING/SET TEMPERATURE

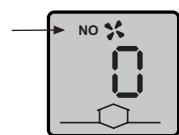
- Press mode button. Display shows room temperature.
- Press the up or down button to set your desired temperature.

Temperature Setpoint Range: 40°F - 86°F (4.4°C - 30°C)

STOP HEATING/NO FAN

Press mode button until display shows '0'.

NOTE: Fan will run until heater cools down. This phase could last for five minutes or more.



Stop Heating / No Fan

MAX/MIN TEMPERATURE LOCK

Preset a maximum and/or minimum set point as a child safety or tamperproof option. To preset a maximum setpoint:


- Press mode button until display shows '0'.
- Press and hold both night and down buttons at the same time, for at least 5 seconds, until the 'HL' (high limit) temperature is displayed.
- Release buttons: temperature setpoint will alternate with 'HL' on the display.
- Using the up or down button, set maximum set point.
- To preset a minimum setpoint, press mode button, 'LL' will flash, set low temperature setting.
- Wait a minimum of 15 seconds for display to return to '0', and your settings will be saved.
- To remove the lock, follow same instructions, and set to maximum of 86°F (30°C), or minimum of 40°F (4.4°C).
- Press to return to HEAT mode.

CHANGE DISPLAY TO CELSIUS

- Press mode button until display shows '0'.
- Press and hold both night and down buttons at the same time, for at least 5 seconds, until the 'HL' (high limit) temperature is displayed.
- Press mode twice, until display alternates between °F and °C.
- Press to convert to Celsius.
- Wait a minimum of 15 seconds until display stops flashing.
- Press to return to HEAT mode.

OPERATING INSTRUCTIONS (continued)

Fault Codes

Digital Display Reads	Problem	Solution
No Display	No power, internal control faulty	Check that power is being supplied to heater. If operating on generator power, confirm generator setting; if display still doesn't turn on, control is faulty. Replace heater assembly.
F1	Grill is interfering with display buttons	Turn power off at main disconnect panel, realign grill. Turn power back on at main disconnect panel.
F4	1. Line voltage is too low 2. Loose wire connections 3. Connected to wrong voltage	1. Clears automatically when line voltage returns to normal. 2. Check wire connections 3. Connect heater to correct voltage (CE162T or CE168T).
F6	Line voltage is too high	Clears automatically when line voltage returns to normal.
F7	Thermal limit tripped	Inspect heater for blockage, obstruction, and/or proper clearance. 1. Push mode button to  no heat position and wait for heater to cool. Push manual reset limit control button per Reset instructions below.
F8	Internal control fault	Disconnect power, reconnect power. If F8 code returns, control is faulty. Replace heater assembly.
FF	Temperature is below 0 degrees F (-17.8 degrees C), too low to display	Clears automatically when temperature is 0 degrees F (-17.8 degrees C) or above.

About the Manual Reset Temperature Limit Control

The heater is protected by a temperature-limiting control. The manual reset temperature limit control is designed to open the heater circuit and stop the electrical current flow when excessive operating temperatures are detected. The problem must be assessed (typically the heater is blocked or needs cleaning) and the limit must be reset to resume operation.

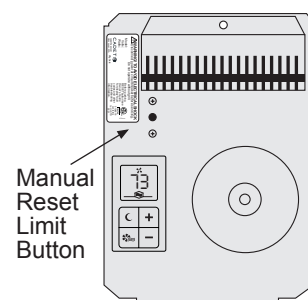
Resetting the Manual Reset Limit Control

Resetting the Manual Reset Temperature Limit Control

If the manual reset limit control has opened the heater circuit due to excessive operating temperatures, the heater will not work until the manual reset limit button is pressed.

The "manual reset limit button" is the red button located on the upper left side of your heater, behind the grill louvers located just above the digital temperature display.

After allowing the unit to cool for at least 10 minutes and resolving the problem causing the limit to trip (typically the heater is blocked or needs cleaning); use a narrow object such as a ball-point pen to access the manual reset button through the upper-left center section of the heater grill. Press FIRMLY and be sure to listen and feel for a click, indicating it has been reset.



Warranty

For more effective and safer operation and to prolong the life of the heater, read the Owner's Guide and follow the maintenance instructions. Failure to properly maintain the heater will void any warranty and may cause the heater to function improperly. Warranties are non transferable and apply to original consumer only. Warranty terms are set out below.

LIMITED FIVE-YEAR WARRANTY: Cadet will repair or replace any Energy Plus (CE) heater found to be defective within five years after the date of purchase.

These warranties do not apply:

1. Damage occurs to the product through improper installation or incorrect supply voltage;
2. Damage occurs to the product through improper maintenance, misuse, abuse, accident, or alteration;
3. The product is serviced by anyone other than Cadet;
4. If the date of manufacture of the product cannot be determined;
5. If the product is damaged during shipping through no fault of Cadet.
6. The use of unauthorized accessories or unauthorized components constitutes an alteration and voids all warranties. Refer to Cadet website or call customer service at 855.CADET.US for list of authorized accessories and components.
7. CADET'S WARRANTY IS LIMITED TO REPAIR OR REPLACEMENT AS SET OUT HEREIN. CADET SHALL NOT BE LIABLE FOR DAMAGES SUCH AS PROPERTY DAMAGE OR FOR CONSEQUENTIAL DAMAGES AND/OR INCIDENTAL EXPENSES RESULTING FROM BREACH OF THESE WRITTEN WARRANTIES OR ANY EXPRESS OR IMPLIED WARRANTY.

8. IN THE EVENT CADET ELECTS TO REPLACE ANY PART OF YOUR CADET PRODUCT, THE REPLACEMENT PARTS ARE SUBJECT TO THE SAME WARRANTIES AS THE PRODUCT. THE INSTALLATION OF REPLACEMENT PARTS DOES NOT MODIFY OR EXTEND THE UNDERLYING WARRANTIES. REPLACEMENT OR REPAIR OF ANY CADET PRODUCT OR PART DOES NOT CREATE ANY NEW WARRANTIES.

9. These warranties give you specific legal rights, and you may also have other rights which vary from state to state. Cadet neither assumes, nor authorizes anyone to assume for it, any other obligation or liability in connection with its products other than as set out herein.

If you believe your Cadet product is defective, please contact Cadet Manufacturing Co. at 855.CADET.US, during the warranty period, for instructions on how to have the repair or replacement processed. Warranty claims made after the warranty period has expired will be denied. Products returned without authorization will be refused.

Parts and Service

Visit cadetheat.com/parts-service for information on where to obtain parts and service.



Reduce-Reuse-Recycle

This product is made primarily of recyclable materials. You can reduce your carbon footprint by recycling this product at the end of its useful life. Contact your local recycling support center for further recycling instructions.

MAINTAINING YOUR HEATER

Maintenance As Needed, or every six months minimum.



⚠ WARNING! Before removing grill, turn the electrical power off at the main disconnect panel (circuit breaker or fuse box). Lock or tag the main disconnect panel door to prevent someone from accidentally turning the power on while you are working on the heater. Failure to do so could result in serious electrical shock, burns, or possible death.

⚠ WARNING: Any other service not detailed in this Owner's Guide should be performed by an authorized service representative.

1. It is important that you verify power has been turned off and the heating element is cool before proceeding. Circuit breakers are often not marked correctly and turning the wrong breaker off could mean electricity is flowing to the heater, even if the heater does not appear to be working. If you are uncomfortable working with electrical appliances, unable to follow these guidelines, or do not have the necessary equipment, consult a qualified electrician.
2. Once you verify the power has been turned off correctly, proceed to the next step.
3. Remove screws and take off grill.
4. Wash grill with hot soapy water and dry.
5. While holding fan (to avoid damage or bending), use a hair dryer or vacuum on blow cycle to blow debris through the top element (do not touch element).
6. Vacuum fan area without touching the elements.
7. Do not lubricate motor.
8. Replace grill and secure with screws.
9. Turn power back on at the main disconnect panel.

Troubleshooting Chart

***CONSULT LOCAL ELECTRICAL CODES TO DETERMINE WHAT WORK MUST BE PERFORMED BY QUALIFIED ELECTRICAL SERVICE PERSONNEL.**

Symptom	Problem	Solution
Heater is working, but room does not reach desired temperature.	<ol style="list-style-type: none"> 1. Heat loss from room is greater than heater capacity.* 2. Furniture or other surfaces may be too close to the heater. 3. Verify if temperature lock has been set. Thermostat setpoint is 40°F-86°F (4.4°C-30°C). 	<ol style="list-style-type: none"> 1. Close doors and windows. Provide additional insulation, or install a higher wattage heater or multiple heaters if necessary. (If your circuit breaker is rated for more capacity.) 2. Remove furniture or other surfaces to appropriate clearances, so air can flow freely throughout room. Maintain a minimum distance of ¾ inches (1.9 cm) from adjacent surfaces, 4½ inches (11.4 cm) from the floor, and 3 feet (0.9 m) from furniture or other objects placed directly in front of the heater. 3. See "MAX/MIN TEMPERATURE LOCK" on page 6.
Breaker trips immediately upon energizing heater.	<ol style="list-style-type: none"> 1. Overloaded circuit.* 2. A short circuit exists in the supply or heater wiring.* 3. Defective circuit breaker.* 4. Thermostat malfunction. 	<ol style="list-style-type: none"> 1. The total amperage of all heaters on a branch circuit must not be more than 80% of the amperage rating of the circuit breaker and supply wire ratings. Use a lower wattage heater, or reduce the number of heaters on the circuit. 2. Broken or poorly connected wires may be accompanied by severe sparking. Inspect all supply and heater wiring insulation for damage. Do not reset the circuit breaker until all electrical shorts have been repaired. 3. Replace the circuit breaker. 4. Replace heater assembly.
Heater fan operates, but does not discharge warm air.	<ol style="list-style-type: none"> 1. Mode button is not set to HEAT mode. 2. Element has failed.* 	<ol style="list-style-type: none"> 1. Push mode button to HEAT mode (display shows room temperature). 2. Replace element.
Heater will not shut off.	<ol style="list-style-type: none"> 1. Heater continues to run at low speed. 2. Heat loss from room is greater than heater capacity.* 3. Thermostat is not functioning properly. 	<ol style="list-style-type: none"> 1. If room temperature is being regulated and maintained, a low fan speed and low heat output is normal for this energy saving heater. 2. Close doors and windows. Provide additional insulation, or install a higher wattage heater or multiple heaters if necessary. (If your circuit breaker is rated for more capacity.) 3. Replace heater assembly.
Heater discharges smoke or emits a burnt odor.	<ol style="list-style-type: none"> 1. Dust, lint or other matter has accumulated inside heater. 2. Poor or loose electrical connections. 	<ol style="list-style-type: none"> 1. Clean heater (See "MAINTAINING YOUR HEATER" section for instructions). 2. Turn off power at circuit breaker. Inspect all supply and heater wires for loose or poor connections. Secure or reconnect all loose connections. Do not reset circuit breaker until all connections have been checked or repaired.
Element heats for a moment without the fan turning, then immediately stops heating.	<ol style="list-style-type: none"> 1. Defective motor or internal connection.* 2. Fan is jammed. 	<ol style="list-style-type: none"> 1. Heater or fan motor requires replacement. 2. Remove obstruction and confirm that fan is spinning freely. Press manual reset temperature limit button per the "OPERATING INSTRUCTIONS" section.
Heater does not run.	<ol style="list-style-type: none"> 1. Thermostat is set too low. 2. Mode button is set to "FAN ONLY" at '0' setting. 3. Heater has tripped the manual reset temperature limit. 4. Power not on at the circuit breaker. 5. Broken or poorly connected wire(s) to heater. 6. Defective thermostat. 7. Circuit breaker not installed correctly. 	<ol style="list-style-type: none"> 1. Adjust thermostat to a higher temperature until heater operates (See Problem #6 if the problem persists). 2. Push mode button to "HEAT" mode. 3. Press the manual reset button (See "OPERATING INSTRUCTIONS" section). 4. Turn on the correct circuit breaker in the main disconnect panel. 5. Turn off power at circuit breaker. Check supply wire continuity and proper connection to heater wires. 6. Repair or replace the heater assembly. 7. Correct the circuit breaker installation.
Heater continually trips the manual reset temperature limit control.	<ol style="list-style-type: none"> 1. Dust, lint or other matter has accumulated inside heater. 2. Airflow is blocked. 3. Fan or motor is jammed. 4. None of the above. 	<ol style="list-style-type: none"> 1. Clean heater (See "MAINTAINING YOUR HEATER" section for instructions). 2. Remove obstruction. Maintain a minimum distance of ¾ inches (1.9 cm) from adjacent surfaces, 4½ inches (11.4 cm) from the floor, and 3 feet (0.9 m) from furniture or other objects placed directly in front of the heater. 3. Remove obstruction, and press heater manual reset button (See "OPERATING INSTRUCTIONS" section). 4. Replace heater assembly.

Beneficios En Las Que Puede Confiar

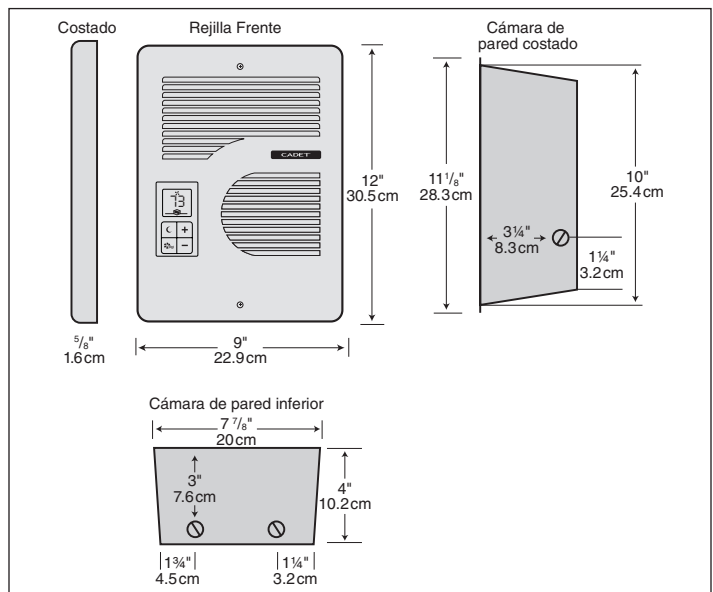
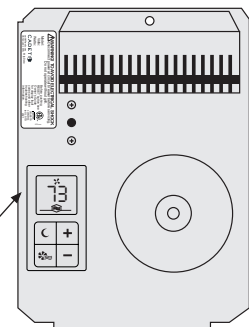
- Económico, consume hasta el 30% menos energía
- Le entrega sólo el calor que necesita, cuando usted lo requiera, y se ajusta automáticamente para ahorrarle dinero
- Usted define su comodidad—mantiene la temperatura ambiente con un margen de un grado
- Nuestro diseño más creativo incluye:
 - Gran pantalla digital en la que aparece la temperatura ambiente y el modo de calentamiento
 - Controles sencillos e intuitivos con un solo toque
 - Las opciones de Noche/Ausencia y Máx/Mín aportan más ahorro y seguridad
 - Mejora la circulación del aire, brinda mayor comodidad fuera de la temporada fría con un ventilador de tres velocidades
 - Reemplaza fácilmente muchos calentadores de la serie Com-Pak: C, CB, CM, CS o X
- Ya no tendrá que adivinar gracias al sensor inteligente de suministro de alimentación que se ajusta automáticamente al voltaje de su hogar
- Apagado automático de seguridad por alta temperatura
- Su calentador Energy Plus ha sido completamente probado y cuenta con una **garantía limitada de 5 años**

Energy Plus Modelos			
Voltaje Línea	Modelos	Vatios	Amps
120	CE163T	1000	8.3
208		1500	7.2
240		1600	6.7
Sólo 240	CE162T	1600	6.7
Sólo 208	CE168T	1600	7.7
120	CE083T	500	4.2
208		750	3.6
240		800	3.3

Modelo Energy Plus con Controlador
No requieren termostato mural

Etiqueta Calificación

Controlador con Pantalla Digital y Botones



COM-PAK

Energy Plus

- HERRAMIENTAS NECESARIAS:
- Destornillador Phillips
 - Destornillador plano
 - Pelacables
 - Cuchillo Multiuso
 - (4) Tornillos de 1 1/2" para Madera
 - (2) Conectores de Alambre Aislados
 - (1) Conector de Alivio de Tensión



probado para las normas UL

CONSERVE ESTAS INSTRUCCIONES

cadetheat.com Tel: 855.CADET.US PO Box 1675 Vancouver, WA 98668-1675

INSTRUCCIONES IMPORTANTES

⚠️ ADVERTENCIA

Al utilizar artefactos eléctricos, siempre se deben adoptar precauciones básicas para reducir el riesgo de incendios, electrocución y lesiones personales, incluyendo lo siguiente:

1. Lea todas las instrucciones antes de instalar o usar este calentador.

2. ⚠️ ADVERTENCIA

Riesgo de incendio. Este calentador se calienta mucho cuando está en uso. Precaución – Alta temperatura. Riesgo de incendio. Mantenga los cables eléctricos, cortinas, muebles, y demás materiales combustibles a por lo menos 3 pies (0.9 m) por delante y a 6 pulgadas (15.2 cm) por encima y por ambos costados del calentador.

3. ⚠️ ADVERTENCIA

Riesgo de quemaduras. Para evitar quemaduras, no lo toque con su piel descubierta. Tenga mucho cuidado cuando algún tipo de calentador sea usado por o cerca de niños o de personas inválidas, y cada vez que lo deje funcionando sin vigilancia.

4. ⚠️ ADVERTENCIA ⚠️

Riesgo de electrocución. No opere ningún calentador después de una avería. Desconecte la alimentación en el panel de servicio y pida a un técnico electricista calificado que lo revise antes de volver a usarlo.

5. ⚠️ ADVERTENCIA

No lo use a la intemperie.

6. Para desconectarlo, ponga los controles en OFF, y apague la alimentación del circuito del calentador en el panel de desconexión principal.

7. ⚠️ ADVERTENCIA ⚠️

Riesgo de electrocución. No introduzca ni permita que ingresen objetos en las aberturas de la ventilación o escape, ya que ello puede causar electrocución o incendio, o bien dañar el calentador.

8. ⚠️ ADVERTENCIA

Riesgo de incendio. Para evitar posibles incendios, no bloquee las tomas de aire ni el escape de manera alguna.

9. ⚠️ ADVERTENCIA

Podrían producirse explosiones o incendios. Todo calentador contiene piezas que se calientan y pueden producir arcos voltaicos o chispas. No lo use en áreas donde se utilice o almacene gasolina, pintura o vapores o líquidos inflamables.

10. Use este calentador sólo como se describe en este manual. Todo otro uso no recomendado por el fabricante puede causar incendios, descargas eléctricas o lesiones personales.

11. El calentador debe instalarse correctamente antes de usarlo.

12. ⚠️ ADVERTENCIA ⚠️

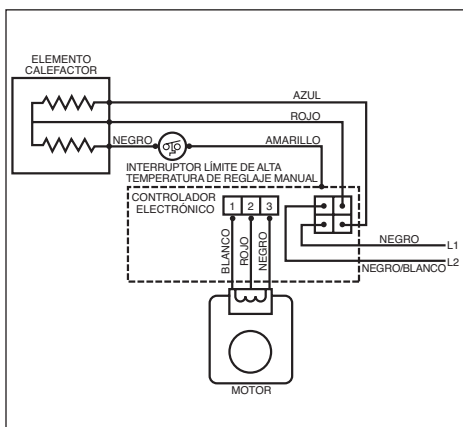
Riesgo de electrocución e incendio. No lo opere sin la rejilla.

13. Conserve estas instrucciones.

Diagramas de cableado

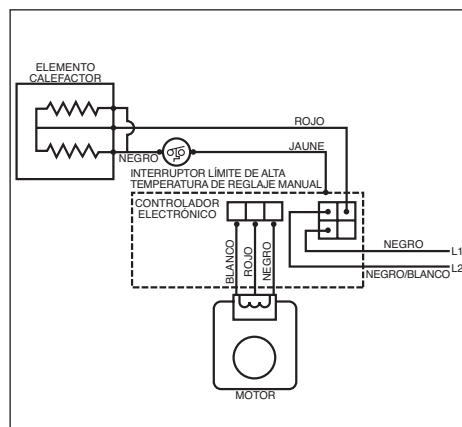
CE163T/CE083T Multivoltaje

Suministro de alimentación de 120, 208 o 240 Voltios



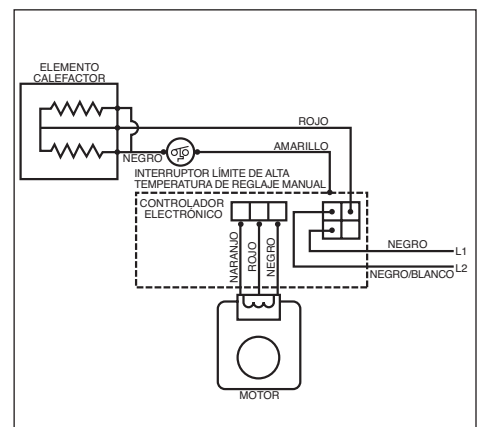
CE162T

Suministro de alimentación de 240 Voltios



CE168T

Suministro de alimentación de 240 Voltios



CONSERVE ESTAS INSTRUCCIONES

cadetheat.com Tel: 855.CADET.US PO Box 1675 Vancouver, WA 98668-1675

Antes de comenzar, debe saber...



...acerca del calentador Energy Plus de Cadet

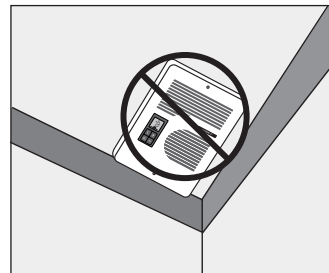
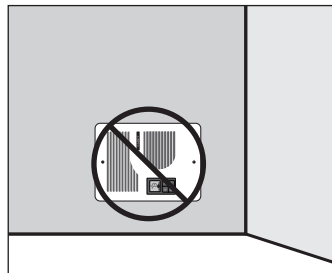
El calentador Energy Plus de Cadet proporciona calor a una habitación usando un ventilador eficaz de velocidad variable para circular el aire caliente, y un termostato inteligente para lograr un control de temperatura preciso.

Su calentador está diseñado para ahorrar energía y funcionar a baja velocidad una vez que ha llegado a la temperatura ambiente que desea. Esta es la operación normal que reduce los ciclos de encendido/apagado y mejora el desempeño y comodidad general.

El calentador también tiene una característica de enfriamiento que puede hacer funcionar el ventilador por hasta 10 minutos luego de pasar al modo STOP HEATING/NO FAN (Detener calentamiento/Sin ventilador). Esto es muy común. El aire que sale del calentador puede sentirse frío, pero en realidad es calor residual que ingresa a la habitación.

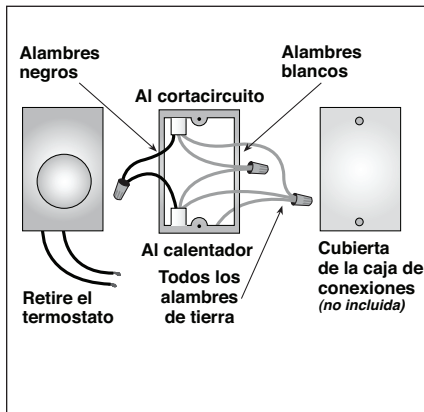
...algunos datos de la instalación

- Instálelo sólo verticalmente. La altura recomendada es de 24 pulgadas (61 cm) desde el piso a la base de la cámara de pared.
- El calentador no se debe instalar en el piso ni en el cielo raso, incluso si está reemplazando un calentador existente que estuvo instalado en alguna de estas ubicaciones.
- Se recomienda realizar la instalación en una pared interior.



...no se puede usar un termostato mural

Su calentador Energy Plus viene equipado con un exclusivo termostato incorporado que regula la generación del calor y brinda un preciso control de temperatura. Si reemplazará un calentador controlado por un termostato mural actual, retire dicho termostato del circuito del calentador y cubra el orificio con una placa ciega.



PARA RETIRAR UN TERMOSTATO MURAL EXISTENTE DEL CORTACIRCUITO

1. Cerciórese de que la alimentación del cortacircuito esté desconectada en el panel de desconexión principal.
2. Retire los tornillos de montaje del termostato mural.
3. Tire del termostato para retirarlo de la pared y cuente los alambres.
4. A. Si cuenta 2 alambres de suministro negros y 2 blancos en la caja, desenchufe el termostato y una los 2 alambres negros entre sí con un conector de alambre (no incluidos). Conecte los 2 alambres blancos entre sí con otro conector de alambre (no incluidos). Conecte todos los alambres de tierra entre sí.
B. Si tiene 1 alambre de suministro negro y 1 blanco, desenchufe el termostato y una los alambres negro y blanco entre sí con un conector de alambre (no incluidos). Conecte todos los alambres de tierra entre sí.
C. Si tiene más de 2 alambres negros o 2 blancos, consulte a un electricista calificado.
5. Si hay una caja de conexiones metálica, se debe conectar a tierra (use un tornillo o presilla de puesta a tierra.)
6. Tape con una placa ciega (no suministrada) la caja de conexiones expuesta.

INSTRUCCIONES PARA LA INSTALACIÓN

1. ⚠️ ADVERTENCIA

Verifique que todos los cables de suministro eléctrico sean del mismo voltaje que el calentador.

2. Si va a reemplazar un calentador existente, revise la etiqueta del calentador antiguo para buscar información de voltaje y vatiaje.

3. Todo trabajo y materiales eléctricos deben cumplir con el Código Eléctrico Nacional (“NEC”, por su sigla en inglés), con la Ley de Seguridad y Salud Ocupacional (“OSHA”, por su sigla en inglés) y con todos los códigos estatales y locales.

4. Si se debe instalar un nuevo circuito o se necesita información adicional sobre el cableado, consulte a un electricista calificado.

5. Use conductores de cobre solamente.

6. ⚠️ ADVERTENCIA ⚠️

Riesgo de electrocución. NO instale el calentador directamente sobre la tina o lavamanos. NO lo instale en la zona de la ducha (el fabricante recomienda un espacio mínimo de 2 pies).

7. El calentador debe instalarse en una cámara de pared:
Modelo CE Cámara de Pared CC

8. ⚠️ ADVERTENCIA

Riesgo de incendio. NO instale el calentador en el piso, en el cielo raso, bajo la barra de la toalla, detrás de una puerta ni en ningún otro lugar en el que la descarga de aire se pueda bloquear de alguna manera.

9. ⚠️ ADVERTENCIA

Podrían producirse explosiones o incendios. Todo calentador contiene piezas que se calientan y pueden producir arcos voltaicos o chispas. No lo use en áreas donde se utilice o almacene gasolina, pintura o vapores o líquidos inflamables.

10. ⚠️ ADVERTENCIA ⚠️

Riesgo de electrocución. Conecte el conductor a tierra al tornillo de puesta a tierra suministrado. Evite que entren objetos extraños al calentador.

11. ⚠️ ADVERTENCIA

Riesgo de incendio. Este calentador se calienta mucho cuando está en uso. Precaución – Alta temperatura. Riesgo de incendio. Mantenga los cables eléctricos, cortinas, muebles, y demás materiales combustibles a por lo menos 3 pies (0.9m) por delante y a 6 pulgadas (15.2 cm) por encima y por ambos costados del calentador.

Parte Uno

REEMPLAZO: Si va a reemplazar un modelo Com-Pak existente, **proceda con la Parte Dos, en la página 13.** Confirme que la cámara de pared actual esté montada al ras con la parte exterior de la lámina de yeso. Ajustela si fuese necesario.

UBICACIÓN: Instálelo verticalmente. No se ha aprobado el uso horizontal del calentador ni tampoco su montaje en cielo raso. Los requisitos de ADA se cumplen si es que el calentador está instalado entre 12½ (31.8 cm) y 42 pulgadas (1.1 m) desde el piso. La altura recomendada es de 24 pulgadas (61 cm) desde el piso a la base de la cámara de pared (consulte la Figura 4).

CONTROLES: Se incluye un termostato digital incorporado. No se puede usar como termostato mural.

¿Cómo se instala el calentador en una construcción nueva?

PASO 1 Montaje de la cámara de pared

La distancia MÍNIMA REQUERIDA es de ¾ pulgadas (1.9 cm) desde las superficies adyacentes, tales como paredes, y 4½ pulgadas (11.4 cm) desde el piso (consulte la figura 4). Cadet recomienda 24 pulgadas (61 cm) desde el piso para un rendimiento óptimo. Si se instalan varios calentadores, deje al menos tres pies (0.9 m) entre ellos.

Fije la cámara de pared al puntal con 2 tornillos (no incluidos). (Consulte las Figuras 1 y 2). Como alternativa, se puede añadir la cuña de caucho suministrada al costado de la cámara de pared para cuadrarla con el puntal.

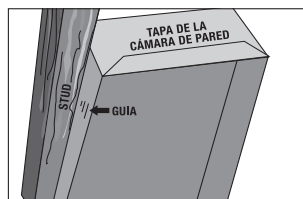


Figura 1

La superficie de la cámara de pared debe sobresalir entre ½ pulgada (1.3 cm) y 5/8 pulgada (1.6 cm) de la superficie del puntal a fin de dejar espacio para la lámina de yeso.

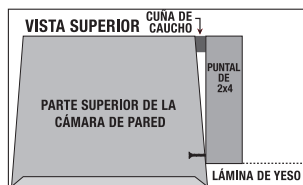


Figura 2

Conecte la cámara de pared al puntal mediante los tornillos por los orificios que contiene la cámara. **IMPORTANTE:** la cámara de pared se debe montar al ras con la parte exterior de la lámina de yeso.

PASO 2 Instalación de los cables de suministro

Tienda el cable de suministro desde el cortacircuito directamente al calentador. Quite un destapadero y fije el cable de suministro mediante un conector de alivio de tensión (no incluidos) dejando 6 pulgadas (15.2 cm) de cable de conexión. Empalme el alambre de conexión a tierra del suministro al tornillo de puesta a tierra que viene en la cámara de pared (Consulte la Figura 3).

Continúe con la Parte Dos.

¿Cómo se instala el calentador en una pared existente?

PASO 1 Corte un orificio en la pared

La distancia MÍNIMA REQUERIDA es de ¾ pulgadas (1.9 cm) desde las superficies adyacentes, tales como paredes, y 4½ pulgadas (11.4 cm) desde el piso (Consulte la Figura 4). Cadet recomienda 24 pulgadas (61 cm) desde el piso para un rendimiento óptimo. Si se instalan varios calentadores, deje al menos tres pies (0.9 m) entre ellos. Corte un orificio de 8 pulgadas (20.3 cm) de ancho por 10¼ pulgadas (26 cm) de alto al lado del puntal de la pared.

PASO 2 Instalación de los cables de suministro

Tienda el cable de suministro desde el cortacircuito directamente al calentador. Quite un destapadero y fije el cable de suministro mediante un conector de alivio de tensión (no incluidos) dejando 6 pulgadas (15.2 cm) de cable de conexión. Empalme el alambre de conexión a tierra del suministro al tornillo de puesta a tierra que viene en la cámara de pared (Consulte la Figura 3).

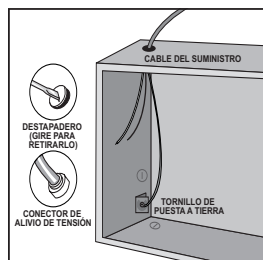


Figura 3

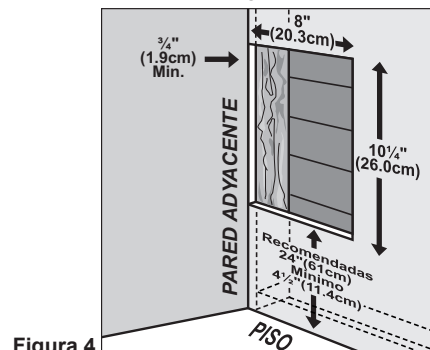


Figura 4

PASO 3 Montaje de la cámara de pared

Inserte la cámara de pared en la abertura, manteniéndola alineada con la superficie de la pared. Asegure la cámara al puntal de la pared con 2 tornillos (no incluidos) mediante los orificios que vienen en la cámara. **IMPORTANTE:** la cámara de pared se debe montar al ras con la parte exterior de la lámina de yeso.

Continúe con la Parte Dos.

INSTRUCCIONES PARA LA INSTALACIÓN (continuación)

Parte Dos

¿Cómo se coloca la unidad del calentador en la cámara de pared?

PASO 1 Instale la unidad del calentador

Gire el conjunto del calentador de modo que su parte delantera dé hacia el piso (el elemento hacia abajo con el motor dispuesto hacia arriba). Puede apoyar el borde inferior del conjunto del calentador en la parte inferior de la cámara de pared, apoyando simultáneamente el borde más próximo a usted.

Empalme los alambres de suministro con los del calentador mediante conectores de alambres (no incluidos). (Consulte la Figura 5 o la Figura 6). Ahora gire el conjunto del calentador hacia la cámara de pared de modo que el borde inferior caiga en las ranuras semicirculares en el reborde inferior de la cámara de pared (Consulte la Figura 7).

IMPORTANTE: Presione los cables hasta el fondo y hacia el lado izquierdo de la cámara de pared durante la inserción. Cerciórese de que los cables de suministro no queden atrapados entre el motor y la cámara de pared.

Tras confirmar que el borde inferior del calentador está posicionado en las ranuras en el reborde inferior de la cámara de pared, fije el conjunto en la parte superior mediante el tornillo suministrado.

PASO 2 Instale la Rejilla

Alinee la pantalla digital con el orificio de la rejilla antes de apretar con los tornillos suministrados. No los apriete en exceso (Consulte la Figura 8).

PASO 3 La Instalación

Vuelva a conectar la energía en el cortacircuito o caja de fusibles. ESPERE 10 a 15 segundos que el calentador se energice antes de pulsar botón alguno.

El calentador CE163T y CE083T Energy Plus está equipado con un sensor inteligente que se ajusta automáticamente al suministro de voltaje de su hogar. No hay que preocuparse de si tiene 120 o 240 voltios.

Si el calentador se ha instalado correctamente:

La pantalla indicará "88" durante un momento; luego aparecerá parpadeando el punto de ajuste de temperatura en el modo HEAT (CALOR); o bien 0, 1, 2, o 3 si se está en el modo de FAN ONLY (SÓLO VENTILADOR).

Tras 10 segundos, aparecerá la temperatura ambiente. Proceda a OPERACIÓN DEL CALENTADOR.

Si el CE162T o el CE168T está instalado en el voltaje incorrecto, aparecerá un código de falla (Consulte los Códigos de Falla en la página 15).

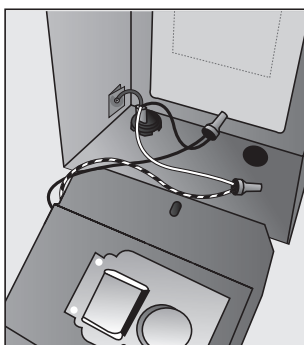


Figura 5
(Calentador Individual
120/208/240V)

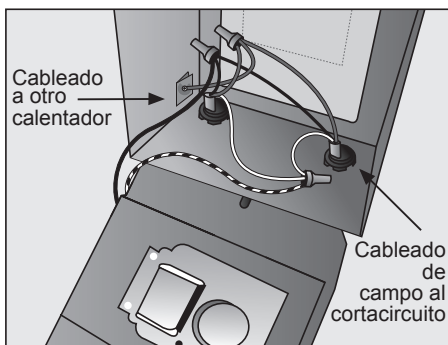


Figura 6
(Múltiples calentadores en un
circuito derivado, SÓLO 208 ó 240V)

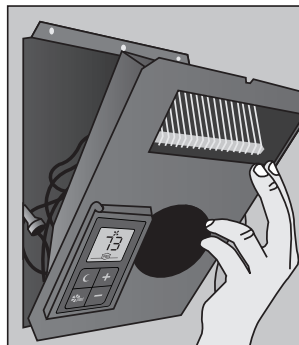


Figura 7

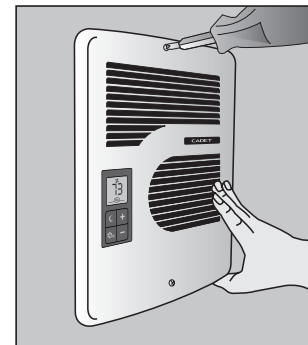


Figura 8

OPERACIÓN DEL CALENTADOR

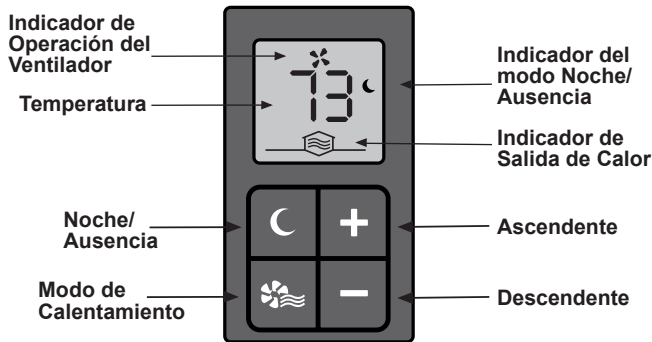
⚠ ADVERTENCIA Riesgo de electrocución e incendio. El calentador debe instalarse correctamente antes de usarlo.

1. No lo opere sin la rejilla.
2. Mantenga los cables eléctricos, cortinas, muebles, y demás materiales combustibles a por lo menos 3 pies (.9 m) por delante y a 6 pulgadas (15.2 cm) de los costados del calentador.
3. No manipule el control limitador de sobretemperatura.
4. Si los limitadores de sobretemperatura se disjuntan más de una vez al día, se debe reemplazar el calentador.

5. Limpie el calentador por lo menos cada seis meses.
6. Después de dejar que el calentador se enfríe, desconecte la electricidad en el panel de cortacircuitos antes de retirar la rejilla.
7. Use una secadora o aspiradora en el ciclo de soplado para quitar la suciedad en el elemento superior (sin tocarlo).
8. Instale la rejilla antes de conectar la energía.

⚠ ADVERTENCIA: Toda otra labor no detallada en esta Guía para el propietario la debe efectuar un representante de servicio autorizado.

Pantalla Digital y Botones de Control



MODOS DEL CALENTADOR

Use el botón de modo para alternar entre HEAT (la pantalla muestra la temperatura ambiente), STOP HEATING/NO FAN (la pantalla muestra) , y FAN ONLY (la pantalla muestra 1, 2 or 3).

MODO CALOR

El calentador Energy Plus tiene un ventilador exclusivo con velocidad variable que ajusta automáticamente la generación de calor basándose en los requisitos del ambiente. Una vez que ha fijado el termostato a la temperatura que desee, el calentador variará la generación de vatiaje para una máxima eficiencia.

La pantalla digital mostrará el nivel de calor que se está generando para mantener la temperatura ambiente.



COMENZAR A CALENTAR/FIJAR TEMPERATURA

- Pulse el botón de modo . La pantalla muestra la temperatura ambiente.
- Pulse el botón subir o bajar para fijar la temperatura que desee.

Margen del punto de ajuste de temperatura: 40°F - 86°F (4.4°C - 30°C)

DETENER EL CALENTAMIENTO/SIN VENTILADOR

Pulse el botón de modo hasta que la pantalla muestre .

NOTA: El ventilador funcionará hasta que el calentador se enfríe. Esta fase podría durar cinco minutos o más.



MODO SÓLO VENTILADOR

El modo FAN ONLY (SÓLO VENTILADOR) puede circular aire pero no suministrará calor.

Pulse el botón hasta que la pantalla muestre . Pulse a fin de escoger 1 para una baja velocidad, 2 para una velocidad media o 3 para una velocidad alta.



Sólo Ventilador / Alta Velocidad

PROGrame NOCHE/AUSENCIA SET POINT

Puede prefiar una temperatura para la noche o para cuando no se encuentre, a fin de lograr ahorros energéticos sencillos con "un solo toque".

- Pulse el botón de modo hasta que la pantalla muestre la temperatura ambiente.
- Pulse el botón de noche . El icono de la luna aparecerá en pantalla. El punto de ajuste de temperatura "noche/ausencia" debiera destellar brevemente.
- Pulse subir o bajar para regular el punto de ajuste de noche/ausencia.
- Para salir del modo noche/ausencia cuando despierte o vuelva, pulse el botón noche nuevamente. El icono de la luna desaparecerá de la pantalla.
- Para volver al punto de ajuste de noche/ausencia anterior, basta con pulsar el botón de noche .



Modo de Noche / Ausencia

BLOQUEO DE MÁX/MÍN TEMPERATURA

Puede programar un punto de ajuste máximo y/o mínimo como opción de seguridad para niños o contra uso indebido. Para programar un punto de ajuste máximo:


- Pulse el botón hasta que la pantalla muestre .
- Pulse sin soltar los botones de noche y bajar al mismo tiempo, durante al menos 5 segundos, hasta que aparezca 'HL' (límite alto) en pantalla.
- Suelte los botones: el punto de ajuste de temperatura alterará con 'HL' en la pantalla.
- Utilizando el botón subir o bajar , fije el punto de ajuste máximo.
- Para programar un punto de ajuste mínimo, pulse el botón de modo , aparecerá 'LL' destellando, fije al ajuste de baja temperatura.
- Espere un mínimo de 15 segundos para volver a , y se guardarán los ajustes.
- Para quitar el seguro, siga las mismas instrucciones, y fije en el máximo de 86°F (30°C), o el mínimo de 40°F (4.4°C).
- Pulse para volver al modo de calentamiento.

CAMBIAR LA PANTALLA A CENTÍGRADOS

- Pulse el botón hasta que la pantalla muestre .
- Pulse sin soltar los botones de noche y bajar al mismo tiempo, durante al menos 5 segundos, hasta que aparezca 'HL' (límite alto) en pantalla.
- Pulse el botón de modo dos veces, hasta que la pantalla alterne entre and .
- Pulse para convertir a Celsius.
- Espere un mínimo de 15 segundos hasta que la pantalla deje de parpadear.
- Pulse para volver al modo de calentamiento.

OPERACIÓN DEL CALENTADOR (continuación)

Códigos de Falla

La Pantalla Digital Indica	Problema	Solución
Nada en pantalla	No hay alimentación, falla de control interno	Revise que el calentador esté recibiendo alimentación; si va a operar con la energía de un generador, confirme el ajuste del generador; si la pantalla aún no se enciende, el control está averiado. Reemplazar el conjunto del calentador.
F1	La rejilla interfiere con los botones de pantalla digital	Apague el cortacircuito en el panel de desconexión principal, vuelva a alinear la rejilla. Encienda la alimentación en el cortacircuito en el panel de desconexión principal.
F4	1. El voltaje de línea es demasiado bajo 2. Conexiones de alambres sueltas 3. Conectado al voltaje incorrecto	1. Se despeja automáticamente cuando el voltaje de línea vuelve a la normalidad. 2. Revise las conexiones de alambres. 3. Conecte el calentador al voltaje correcto (CE162T o CE168T).
F6	Voltaje de línea demasiado alto	Se despeja automáticamente cuando el voltaje de línea vuelve a la normalidad.
F7	Se disyuntó el límite térmico (control de límite de temperatura)	Inspeccione el calentador en busca de bloqueo, obstrucciones, y/o espaciado correcto. 1. Pulse el botón de modo en la posición  sin calor y espere que el calentador se enfríe. Pulse el botón de control de límite de reglaje manual según las instrucciones de reglaje siguientes.
F8	Falla de control interno	Desconecte la alimentación y luego vuelva a conectarla. Si vuelve al código F8, el control está averiado. Reemplace el conjunto del calentador.
FF	La temperatura es inferior a 0 grados F (-17.8 grados C), demasiado baja para la pantalla	Se borra automáticamente cuando la temperatura es de 0 grados F (-17.8 grados C) o superior.

Acerca del control de límite de temperatura de reglaje manual

El calentador está protegido por un control limitador de temperatura con reglaje manual, el cual está diseñado para abrir el circuito del calentador y detener el flujo de corriente eléctrica cuando se detectan temperaturas de funcionamiento excesivas. El problema debe evaluarse (generalmente el calentador está bloqueado o hay que limpiarlo) y el límite debe restablecerse para que el calentador vuelva a funcionar.

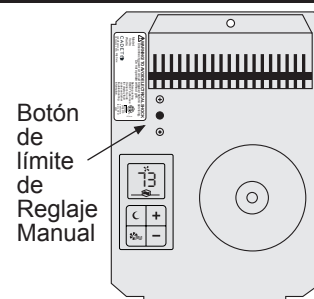
Cómo restablecer el control de límite de reglaje manual

Cómo restablecer el control limitador de temperatura de reglaje manual

Si el control limitador de reglaje manual ha abierto el circuito del calentador debido a temperaturas de funcionamiento excesivas, el calentador no funcionará sino hasta que se oprima el botón de límite de reglaje manual.

El "botón de límite de reglaje manual" es el botón rojo situado en el costado superior izquierdo del calentador, detrás de las persianas de la rejilla situadas justo sobre la pantalla de temperatura digital.

Después de dejar que la unidad se enfríe durante al menos 10 minutos y resolver el problema que causa que se disyunte el interruptor de límite (generalmente el calentador está bloqueado o necesita limpieza), utilice un objeto puntiagudo como un bolígrafo para acceder al botón de reglaje a través de la sección central superior izquierda de la rejilla del calentador. Oprima el botón FIRMEMENTE y asegúrese de escuchar y sentir un chasquido indicando que se ha restablecido.



Garantía

Para lograr una operación más eficaz y segura y prolongar la vida útil del calentador, lea la Guía del propietario y siga las instrucciones de mantenimiento. Si no le da el mantenimiento adecuado al calentador invalidará la garantía y puede hacer que el aparato funcione incorrectamente. Las garantías no son transferibles y rigen sólo para el comprador original. Los términos de la garantía se indican a continuación.

GARANTÍA LIMITADA DE CINCO AÑOS: Cadet reparará o reemplazará todo calentador Energy Plus (CE) que se determine está averiado en un plazo de cinco años a partir de la fecha de compra.

Estas garantías no son pertinentes para:

- Daños que sufra el producto por instalación o voltaje de suministro incorrectos;
- Daños que sufra el producto por mantenimiento incorrecto, uso indebido, abuso, accidente o alteraciones;
- Servicio que se le haya dado al producto por parte de personas o entidades ajenas a Cadet.
- Casos en que no se pueda determinar la fecha de fabricación del producto;
- Casos en que el producto resulte dañado durante el embarque por causas ajenas a Cadet.
- El uso de accesorios o componentes no autorizados constituye una alteración e invalida las garantías. Consulte el sitio web de Cadet o bien llame al servicio al cliente al 855.CADET.US para ver una lista de los accesorios y componentes autorizados.
- LA GARANTÍA DE CADET SE LIMITA A LA REPARACIÓN O REEMPLAZO, TAL COMO SE ESTABLECE EN ESTE DOCUMENTO. CADET NO SE HARÁ RESPONSABLE POR DAÑOS A LA PROPIEDAD O DAÑOS CONSECUENTES, COMO TAMPOCO POR GASTOS ACCIDENTALES DEBIDO AL INCUMPLIMIENTO DE ESTAS GARANTÍAS ESCRITAS O DE CUALQUIER GARANTÍA EXPRESA O IMPLÍCITA.

8. EN CASO DE QUE CADET DECIDA REEMPLAZAR ALGUNA PIEZA DEL PRODUCTO CADET, LOS REPUESTOS SE REGISTRARÁN POR LAS MISMAS GARANTÍAS DEL PRODUCTO. LA INSTALACIÓN O REEMPLAZO DE LOS REPUESTOS NO MODIFICA NI PROLONGA LAS GARANTÍAS VIGENTES. EL REEMPLAZO O REPARACIÓN DE TODO PRODUCTO O PIEZA CADET NO ORIGINA NINGÚN TIPO DE NUEVA GARANTÍA.

9. Estas garantías le otorgan derechos legales específicos y es posible que usted tenga otros derechos que varíen de un estado a otro. Cadet no asume ni autoriza a nadie que lo haga en su nombre, ninguna otra obligación o responsabilidad en relación con sus productos que no sean las que se establecen en este documento.

Si durante el período de garantía usted considera que su producto Cadet presenta defectos, comuníquese con Cadet Manufacturing Co. llamando al 855.CADET.US para obtener instrucciones sobre cómo tramitar la reparación o el reemplazo del producto. Los reclamos de garantía presentados después de la finalización del período no serán acogidos. Los productos que se devuelvan sin autorización serán rechazados.

Repuestos y servicio

En cadetheat.com/parts-service encontrará información sobre dónde obtener repuestos y servicio.

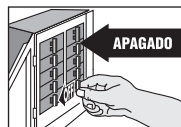


Reduzca-Reuse-Recycle

Este producto está hecho principalmente de materiales reciclables. Puede reducir la cantidad de carbono que contribuye al medio ambiente reciclando este producto al término de su vida útil. Comuníquese con su centro local de reciclaje para obtener mayores instrucciones al respecto.

MANTENIMIENTO DEL CALENTADOR

Mantenimiento Según sea necesario, o cada seis meses como mínimo.



¡ADVERTENCIA! Desconecte la electricidad en el panel de desconexión principal (caja de cortacircuitos o fusibles) y trabe o coloque un cartel en la puerta del panel de desconexión principal para evitar que alguien vuelva a conectar la energía mientras se esté trabajando en el calentador. De lo contrario podrían producirse graves golpes eléctricos, quemaduras e incluso la muerte.

ADVERTENCIA: Toda otra labor no detallada en esta Guía para el propietario la debe efectuar un representante de servicio autorizado.

1. Antes de proceder, es importante que usted verifique que se haya desconectado la alimentación y que el elemento calentador esté frío. Los cortacircuitos no suelen estar correctamente marcados, y apagar el incorrecto podría significar que sigue fluyendo electricidad al calentador, aun cuando éste parezca no estar funcionando. Si no se siente cómodo al trabajar con artefactos eléctricos, no está en condiciones de acatar estas pautas o no cuenta con los equipos necesarios, solicite los servicios de un técnico electricista calificado.

2. Una vez que verifique que se ha apagado la alimentación correctamente, prosiga con el paso siguiente.

3. Retire los tornillos y extraiga la rejilla.
4. Lave la rejilla con agua caliente y jabón, y séquela.
5. Mientras sujeta el ventilador (para evitar que se dañe o tuerza), utilice una secadora o una aspiradora en el ciclo de soplado para quitar la suciedad en el elemento superior (sin tocarlo).
6. aspire el área del ventilador sin tocar los elementos.
7. No lubrique el motor.
8. Vuelva a instalar la rejilla y fijela con los tornillos.
9. Vuelva a conectar la alimentación en el panel de desconexión principal.

Tabla de resolución de problemas

***CONSULTE LOS CÓDIGOS ELÉCTRICOS LOCALES PARA DETERMINAR QUÉ TRABAJOS DEBEN SER REALIZADOS POR PERSONAL DE SERVICIO ELÉCTRICO CALIFICADO.**

Síntoma	Problema	Solución
El calentador funciona, pero la habitación no alcanza la temperatura que se desea.	<ol style="list-style-type: none"> 1. La fuga de calor de la habitación es superior a la capacidad del calentador.* 2. Hay muebles u otras superficies demasiado cerca del calentador. 3. Verifique si se ha fijado el bloqueo de temperatura. El punto de ajuste del termostato es de 40° F - 86° F (4.4° C - 30° C). 	<ol style="list-style-type: none"> 1. Cierre las puertas y ventanas. Coloque aislamiento adicional, o instale un calentador de mayor vatiaje o múltiples calentadores si fuera necesario. (Si su circuito tiene mayor capacidad). 2. Retire los muebles u otras superficies hasta la distancia correcta, de modo que el aire pueda fluir libremente por la habitación. Mantenga una distancia mínima de ¾ pulgadas (1.9 cm) de las superficies adyacentes, 4½ pulgadas (11.4 cm) del piso y 3 pies (0.9 m) de los muebles u otros objetos situados directamente delante del calentador. 3. Consulte "BLOQUEO DE MÁX/MÍN TEMPERATURA" en la página 14.
El interruptor se disyunta inmediatamente al encenderse el calentador.	<ol style="list-style-type: none"> 1. Circuito sobrecargado.* 2. Hay un cortocircuito en los cables de suministro o del calentador.* 3. Cortacircuito defectuoso.* 4. Avería en el termostato. 	<ol style="list-style-type: none"> 1. El amperaje total de todos los calentadores en un circuito de rama no debe sobrepasar el 80% de la calificación de amperaje del cortacircuito y de las calificaciones de los cables de suministro. Utilice un calentador de vatiaje inferior o reduzca la cantidad de calentadores en el circuito. 2. Los cables rotos o mal conectados pueden ocasionar chispas peligrosas. Revise el aislamiento de todos los cables de suministro y del calentador para comprobar que no estén dañados. No reestablezca el cortacircuito sino hasta que se hayan reparado todos los cortocircuitos eléctricos. 3. Vuelva a colocar el cortacircuito. 4. Reemplace el conjunto del calentador.
El ventilador del calentador funciona pero no envía aire caliente.	<ol style="list-style-type: none"> 1. El botón de modo no se ha fijado en el modo HEAT (Calor). 2. El elemento ha fallado.* 	<ol style="list-style-type: none"> 1. Pulse el botón de modo y fijelo en el modo HEAT (la pantalla muestra la temperatura ambiente). 2. Reemplace el elemento.
El calentador no se apaga.	<ol style="list-style-type: none"> 1. El calentador continúa funcionando a baja velocidad 2. La fuga de calor de la habitación es superior a la capacidad del calentador.* 3. El termostato no funciona correctamente. 	<ol style="list-style-type: none"> 1. Si se está regulando y manteniendo la temperatura, un ventilador a baja y una baja generación de calor es normal para este calentador de ahorro de energía. 2. Cierre las puertas y ventanas. Coloque aislamiento adicional, o instale un calentador de mayor vatiaje o múltiples calentadores si fuera necesario. (Si su circuito tiene mayor capacidad). 3. Reemplace el conjunto del calentador.
El calentador emite humo o un olor a quemado.	<ol style="list-style-type: none"> 1. Se han acumulado polvo, pelusas u otros materiales dentro del calentador. 2. Conexiones eléctricas deficientes o sueltas. 	<ol style="list-style-type: none"> 1. Limpie el calentador (vea las instrucciones en la sección "MANTENIMIENTO DEL CALENTADOR"). 2. Desconecte la energía en el cortacircuito. Inspeccione todos los alambres de suministro y del calentador en busca de conexiones sueltas o deficientes. Afiance o reconecte todas las conexiones sueltas. No restablezca el cortacircuito sino hasta haber revisado y reparado todas las conexiones.
El elemento calienta por un momento sin que gire el ventilador y luego deja de calentar inmediatamente.	<ol style="list-style-type: none"> 1. Motor o conexión interna defectuosos.* 2. El ventilador está atascado. 	<ol style="list-style-type: none"> 1. Debe reemplazarse el calentador o el ventilador. 2. Retire las obstrucciones y confirme que el ventilador está girando libremente. Oprima el botón de reglaje según la sección "OPERACIÓN DEL CALENTADOR".
El calentador no funciona.	<ol style="list-style-type: none"> 1. El termostato se ha graduó muy bajo. 2. El botón de modo está fijado en "FAN ONLY" (Sólo ventilador) a un ajuste '0'. 3. El calentador ha hecho saltar el interruptor manual de reglaje de alta temperatura. 4. La energía no está conectada en el cortacircuito. 5. El o los cables que van al calentador están rotos o mal conectados. 6. Termostato defectuoso. 7. Cortacircuito no instalado correctamente. 	<ol style="list-style-type: none"> 1. Ajuste el termostato a una temperatura más alta hasta que el calentador funcione (vea el Problema No. 6 si el problema persiste). 2. Pulse el botón de modo y fijelo en "HEAT". 3. Oprima el botón de reglaje manual (vea las instrucciones en la sección "OPERACIÓN DEL CALENTADOR"). 4. Conecte el cortacircuito correcto en el panel de desconexión principal. 5. Desconecte la energía en el cortacircuito. Revise la continuidad del cable de suministro y la conexión apropiada a los cables del calentador. 6. Repare o reemplace el conjunto del calentador. 7. Corrija la instalación del cortacircuito.
El calentador disyunta continuamente el control limitador de temperatura de reglaje manual.	<ol style="list-style-type: none"> 1. Se han acumulado polvo, pelusas u otros materiales dentro del calentador. 2. El flujo de aire está bloqueado. 3. El ventilador o el motor está trabado. 4. Ninguna de las anteriores. 	<ol style="list-style-type: none"> 1. Limpie el calentador (vea las instrucciones en la sección "MANTENIMIENTO DEL CALENTADOR"). 2. Retire la obstrucción. Mantenga una distancia mínima de ¾ pulgadas (1.9 cm) de las superficies adyacentes, 4½ pulgadas (11.4 cm) del piso y 3 pies (0.9 m) de los muebles u otros objetos situados directamente delante del calentador. 3. Retire la obstrucción y oprima el botón de reglaje manual del calentador ("OPERACIÓN DEL CALENTADOR"). 4. Reemplace el conjunto del calentador.