

XPMC Explosion-Proof Enclosure Heater

Compact Design Provides Freeze and Condensation Protection in Small Spaces



480 V, 12 Inches/300 Millimeters,
2 Heat Sinks

Description

The Chromalox® XPMC explosion-proof enclosure heater uses an anodized aluminum body to protect a Chromalox cartridge heater. The unit may be ordered with body only, or with body and one or two heat sinks. Each additional heat sink increases the maximum wattage of the unit. Two control thermostats can be used to tailor the XPMC heater to individual needs. Also the number of fins can be adjusted to suit the wattage and temperature rating needed. Units can be ordered in 6-inch/150-millimeter or 12-inch/300-millimeter lengths, from 120 volts to 480 volts (12-inch/300-millimeter model only).



120/240 V, 6 Inches/150 Millimeters,
No Heat Sinks

Applications

- Panel manufacturers
- Gas analyzers
- Petrochemical processing
- Pump houses
- Motor control centers

Advantages

- Compact design
- Condensation protection
- Freeze protection
- Available at 480 V*
- CSA certified; Class I, Div. 1 & 2, Groups B, C, D

*Class I, Div. 1 & 2, Group C, D.

Ordering Information

Watts	Volts	Length in. (mm)	Heat Sink	Model	Stock	PCN	Wt (lb)
Temperature Code T3 (392°F/200°C) Class 1, Div 1, Group B, C, and D							
100	120	6 (152.4)	0	XPMC-6101T3	NS	700015	6
150	120	6 (152.4)	1	XPMC-6111T3	NS	700023	7
225	120	6 (152.4)	2	XPMC-6121T3	NS	700031	9
200	120	12 (304.8)	0	XPMC-12101T3	NS	700040	8
300	120	12 (304.8)	1	XPMC-12111T3	NS	700058	11
400	120	12 (304.8)	2	XPMC-12121T3	NS	700066	14
100	240	6 (152.4)	0	XPMC-6201T3	NS	700074	6
150	240	6 (152.4)	1	XPMC-6211T3	NS	700082	7
225	240	6 (152.4)	2	XPMC-6221T3	NS	700090	9
200	240	12 (304.8)	0	XPMC-12201T3	NS	700103	8
300	240	12 (304.8)	1	XPMC-12211T3	NS	700111	11
400	240	12 (304.8)	2	XPMC-12221T3	NS	700120	14
Mounting Hardware Kit				PC4683-1	S	124011	1

Watts	Volts	Length in. (mm)	Heat Sink	Model	Stock	PCN	Wt (lb)
Temperature Code T2 (572°F/300°C) Class 1, Div 1, Group B, C, and D							
150	120	6 (152.4)	0	XPMC-6101T2	NS	700138	6
250	120	6 (152.4)	1	XPMC-6111T2	NS	700146	7
350	120	6 (152.4)	2	XPMC-6121T2	NS	700154	9
300	120	12 (304.8)	0	XPMC-12101T2	NS	700162	8
300	120	12 (304.8)	1	XPMC-12111T2	NS	700170	11
500	120	12 (304.8)	2	XPMC-12121T2	NS	700189	14
150	240	6 (152.4)	0	XPMC-6201T2	NS	700197	6
250	240	6 (152.4)	1	XPMC-6211T2	NS	700200	7
350	240	6 (152.4)	2	XPMC-6221T2	NS	700218	9
300	240	12 (304.8)	0	XPMC-12201T2	NS	700226	8
300	240	12 (304.8)	1	XPMC-12211T2	NS	700234	11
500	240	12 (304.8)	2	XPMC-12221T2	NS	700242	14
Temperature Code T3 (392°F/200°C) Class 1, Div 1, Group C & D							
600	480	12 (304.8)	2	XPMC-12425T2	NS	700250	16

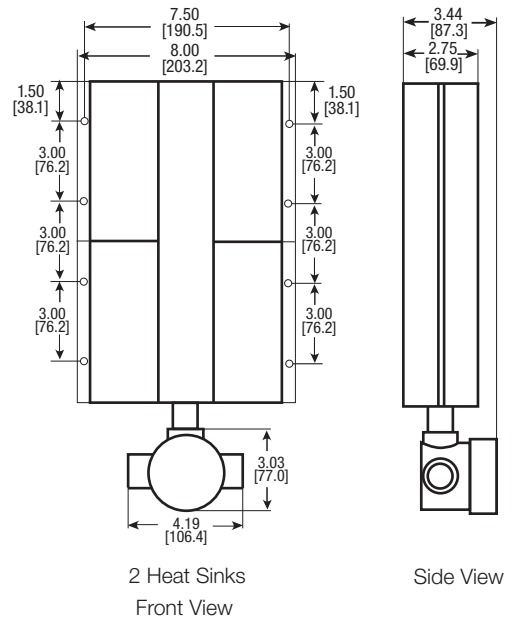
Specifications

Voltage	120 - 480
Maximum Wattage	600
Construction	Anodized Aluminum
Available Lengths	6 and 12 in./150 and 300 mm
No. of Heat Sinks	0, 1, or 2
Ambient Thermostats	70°F/221°C, 120 V & 240 V*
	100°F/38°C, 120 V & 240 V†
Adjustable Thermostat†	480 V*
	120 V & 240 V ‡
Certification	CSA for Hazardous Locations

* Standard. † Rated for Class I, Div. 1 & 2, Group C, D only. ‡ Optional.

Dimensions

Explosion-Proof Heater, in. (mm)
12-in./300 mm 120/240V XPMC



Custom Ordering Information

Model Explosion-Proof
XPMC Enclosure Heater

Length, in./mm	6/150	12/300				
Volts	1 120	2 240	3 480			
Fins	0	1	2			
Thermostat, °F/°C	1 70/21*	2 100/38*	3 Adjustable			
T Rating	T2	T3*				
XPMC	6	2	1	3	T3	Typical Model Number

* Not available in 480 V.

Chromalox®
PRECISION HEAT AND CONTROL

103 Gamma Drive
Pittsburgh, PA 15238
USA

Toll-Free:
Phone: 1-800-443-2640

Direct:
Phone: (412) 967-3800
Fax: (412) 967-5148

email: sales@chromalox.com
www.chromalox.com