

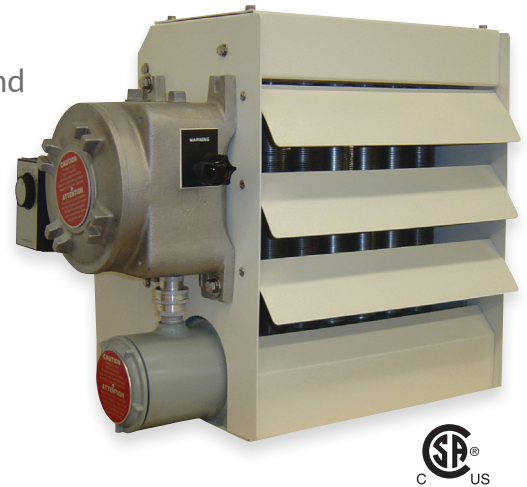
EXPLOSION-PROOF HEATER

Explosion-proof unit heaters are designed with maximum safety and versatility in mind, plus a wide range of constructions, sizes, wattages and voltages to suit most hazardous location applications.

Class I, Divisions 1 and 2, Groups C and D, Class II, Divisions 1 and 2, Groups E, F and G, Class I, Zones 1 and 2, Group IIB, T3, Temperature Code T3C, 320° F (160° C)

BENEFITS

- Industry’s lowest ignition temperature code rating: T3C, 160°C/320°F
- Dual over-temperature protection: automatic and manual reset cutout for additional safety
- Non-toxic Propylene Glycol heat transfer fluid
- Low 70 PSIG relief valve setting, assures initial escaping vapor temperature remains below 160°C/320°F ignition point
- Available in three constructions: powder-coated welded steel, 316 stainless steel, or Heresite® coating for use in corrosive environments



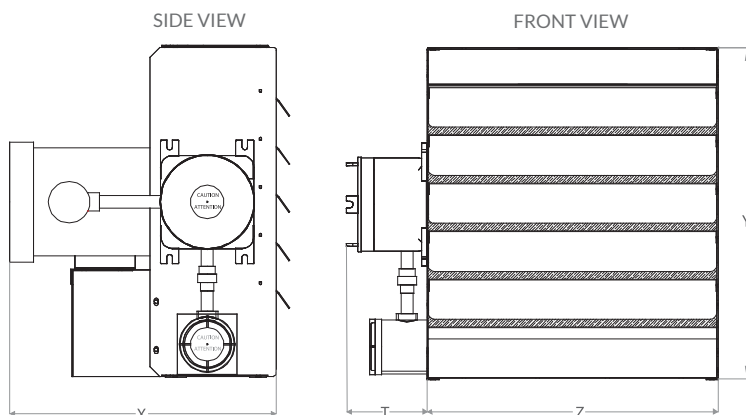
APPLICATIONS

Aircraft Hangers / Service Areas | Mines / Preparation Plants | Gasoline Fueling / Storage Areas | Paint Spraying / Storage Areas | Utility Plants | Waste Water Treatment Plants | Chemical Plants

SPECIFICATIONS

Voltage	208V (1 & 3 Ph), 240V (1 & 3 Ph), 480V (3 Ph), 600V (3 Ph); 60Hz
Wattage	Sizes ranging from 3 to 30kW
Color	Almond
Construction / Heat Exchanger	Corrosive-resistant options available in three constructions, suitable for most applications: 1) Standard construction, for use in dry non-corrosive areas, includes: welded steel heat exchanger; powder-coated cabinet; epoxy-coated motor 2) 316 stainless steel construction suitable for Waste Water Treatment Plants includes: 316 stainless steel heat exchanger, headers and tubes with aluminum fins; stainless steel cabinet; corrosive-resistant hardware; epoxy-coated motor 3) Third construction is suitable for use in Chemical Plants where chlorides are present and includes: Heresite® coated heat exchanger, cabinet, and fan blade; corrosive-resistant hardware; epoxy-coated motor
Controls & Wiring	Automatic reset over-temperature cutout, fan delay relay, controlling contactor, transformer for 24V control circuit, terminal block for field wiring and separate motor contactor
Installation	Easy access to motor and fan; motors are prewired to control enclosure
Warranty	1-year from date of installation

DIMENSIONS



Frame Size		Size 1	Size 2	Size 3
Overall Heater Dimensions	'X' mm (inches)	464 (21.8)	464 (21.8)	508 (20.9)
	'Y' mm (inches)	492 (19.4)	594 (23.4)	695 (27.4)
	'Z' mm (inches)	408 (16.1)	513 (20.2)	614 (24.2)
	'T' mm (inches)	171 (6.75)	171 (6.75)	171 (6.75)
Weight	Net kg (Lbs.)	50 (110)	68 (150)	86 (190)
	Shipping kg (Lbs.)	59 (130)	77 (169)	98 (216)

ORDERING GUIDE

Cat. No.	kW	Volts	Phase	Amps	Size	CFM (M ³ /hr)	Throw Ft (m)	Temp Rise (°C/°F)	Weight (kg/lbs.)
DX-233-CA-0036C	3	208	1	17	1	650 (1104)	15 (4.5)	8 / 15	50 / 110
DX-233-CA-0036D	3	208	3	10	1	650 (1104)	15 (4.5)	8 / 15	50 / 110
DX-233-CA-0036J	3	240	1	15	1	650 (1104)	15 (4.5)	8 / 15	50 / 110
DX-233-CA-0036K	3	240	3	9	1	650 (1104)	15 (4.5)	8 / 15	50 / 110
DX-233-CA-0036U	3	480	3	5	1	650 (1104)	15 (4.5)	8 / 15	50 / 110
DX-233-CA-0036Z	3	600	3	4	1	650 (1104)	15 (4.5)	8 / 15	50 / 110
DX-233-CA-0056C	5	208	1	26	1	650 (1104)	15 (4.5)	13 / 25	50 / 110
DX-233-CA-0056D	5	208	3	16	1	650 (1104)	15 (4.5)	13 / 25	50 / 110
DX-233-CA-0056J	5	240	1	23	1	650 (1104)	15 (4.5)	13 / 25	50 / 110
DX-233-CA-0056K	5	240	3	14	1	650 (1104)	15 (4.5)	13 / 25	50 / 110
DX-233-CA-0056U	5	480	3	7	1	650 (1104)	15 (4.5)	13 / 25	50 / 110
DX-233-CA-0056Z	5	600	3	6	1	650 (1104)	15 (4.5)	13 / 25	50 / 110
DX-233-CA-0086C	7.5	208	1	38	1	850 (1444)	25 (7.6)	16 / 28	50 / 110
DX-233-CA-0086D	7.5	208	3	23	1	850 (1444)	25 (7.6)	16 / 28	50 / 110
DX-233-CA-0086J	7.5	240	1	34	1	850 (1444)	25 (7.6)	16 / 28	50 / 110
DX-233-CA-0086K	7.5	240	3	20	1	850 (1444)	25 (7.6)	16 / 28	50 / 110
DX-233-CA-0086U	7.5	480	3	10	1	850 (1444)	25 (7.6)	16 / 28	50 / 110
DX-233-CA-0086Z	7.5	600	3	9	1	850 (1444)	25 (7.6)	16 / 28	50 / 110
DX-233-CA-0106D	10	208	3	30	1	850 (1444)	25 (7.6)	21 / 38	50 / 110
DX-233-CA-0106J	10	240	1	44	1	850 (1444)	25 (7.6)	21 / 38	50 / 110
DX-233-CA-0106K	10	240	3	26	1	850 (1444)	25 (7.6)	21 / 38	50 / 110
DX-233-CA-0106U	10	480	3	13	1	850 (1444)	25 (7.6)	21 / 38	50 / 110
DX-233-CA-0106Z	10	600	3	11	1	850 (1444)	25 (7.6)	21 / 38	50 / 110
DX-233-CB-0156D	15	208	3	44	2	1800 (3058)	45 (13.7)	15 / 27	68 / 150
DX-233-CB-0156K	15	240	3	38	2	1800 (3058)	45 (13.7)	15 / 27	68 / 150
DX-233-CB-0156U	15	480	3	19	2	1800 (3058)	45 (13.7)	15 / 27	68 / 150
DX-233-CB-0156Z	15	600	3	16	2	1800 (3058)	45 (13.7)	15 / 27	68 / 150
DX-233-CB-0206U	20	480	3	25	2	1800 (3058)	45 (13.7)	19 / 35	68 / 150
DX-233-CB-0206Z	20	600	3	21	2	1800 (3058)	45 (13.7)	19 / 35	68 / 150
DX-233-CC-0256U	25	480	3	31	3	3100 (5283)	65 (19.8)	14 / 26	86 / 190
DX-233-CC-0256Z	25	600	3	25	3	3100 (5283)	65 (19.8)	14 / 26	86 / 190
DX-233-CC-0306U	30	480	3	37	3	3850 (6541)	75 (22.8)	13 / 25	86 / 190
DX-233-CC-0306Z	30	600	3	30	3	3850 (6541)	75 (22.8)	13 / 25	86 / 190

FACTORY BUILT-IN OPTIONS

Cat. No.	Description
C1	316 Stainless Steel Corrosion Resistant Construction (Waste Water Treatment Plants)
C2	Dirty Duty Corrosion-Resistant Construction (Chemical Plants) Heresite®
D	Power Disconnect Switch
E	Group E (Metal Dust) Construction
K	"Warning" Pilot Light
L	"Heater On" Pilot Light
M	Secondary Manual Reset Overtemperature Cutout with Backup Contactor. This option is not available if option Code S or V are also specified.
S	Two-Position Selector Switch (auto-fan). This option is not available if option Code M or V are also specified.
T	Built-in Thermostat 10 to 32°C / 50 to 90°F
V	120V Control Circuit, fused secondary and grounded. This option is not available if option Code S or M are also specified. Nor can both K and L be specified.
W	Wet location construction

Control options are indicated by the last letter of the catalog number.

CONTROL OPTIONS (field installed)

Cat. No.	Description
HLS1	Hazardous location SPDT remote mount adjustable thermostat with bi-metal sensor, rated 347V - 25A

MOUNTING HARDWARE (field installed)

Cat. No.	Description
1022451	Ceiling mounting kit for frame size 1, 2, 3
1022454	Wall mounting kit for frame size 1, 2, 3
1022457	Pole mounting kit for frame size 1, 2, 3
1022451-S	Corrosion Resistant Ceiling Mounting Kit, for Frame Sizes 1, 2, 3
1022454-S	Corrosion Resistant Wall Mounting Kit, for Frame Sizes 1, 2, 3
1022457-S	Corrosion Resistant Pole Mounting Kit, for Frame Sizes 1, 2, 3