

GARAGE/WORKSHOP HEATER

Tough, rugged, high performance heat that installs neatly on the wall or ceiling with the included bracket.

BENEFITS

- Powerful fan and 4000 watt stainless steel heater element
- Versatile mounting bracket attaches to wall or ceiling – heater swivels to direct heat
- Automatic temperature control helps maintain consistent temperature from 5-43°C (41-109°F)
- Fan delay uses residual heat to save energy and maintain temperature
- Includes 6 foot cord with NEMA standard plug (6-20P)
- Stainless steel tubular element
- Power interrupt thermal cut out for overheat protection

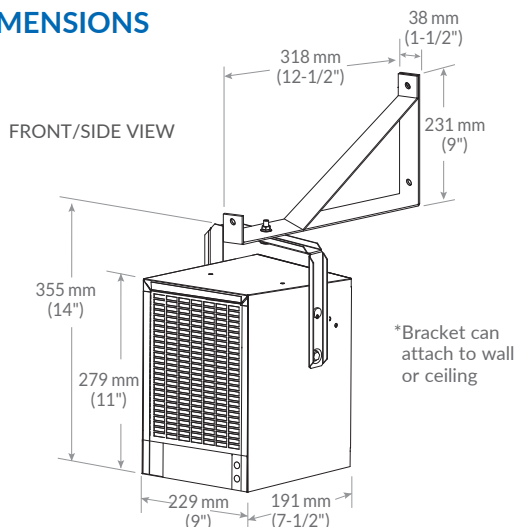
APPLICATIONS

Powerful Heat for Workshops | Garages

SPECIFICATIONS

Voltage	240V
Wattage	4000W
Color	Grey
Finish	Powder coating resists fading and abrasion
Construction	22 gauge steel
Heating Element	Stainless steel tubular element
Controls	Built-in, double-pole thermostat with temperature range of 5-43°C (41-109°F)
Warranty	1-year warranty on complete unit

DIMENSIONS



ORDERING GUIDE

Cat. No.	Watts	Volts	BTU	CFM	Weight (kg/lb.)
DGWH4031G	4000	13,648	240	300	4.5 / 10

