

## ENCLOSED MOTOR CONSTRUCTION HEATER

The enclosed motor design protects the motor from debris, extending the motor life.

### BENEFITS

- Permanently lubricated and sealed motor prevents accumulation of dust
- Footstand for angled positioning
- 300 CFM delivers powerful heat output
- Power interrupt thermal cut out for overheat protection
- Fan delay uses residual heat to save energy and maintain temperature
- Includes 6 foot cord with NEMA standard plug (6-30P)
- Stainless steel tubular element
- Built-in thermostat

### APPLICATIONS

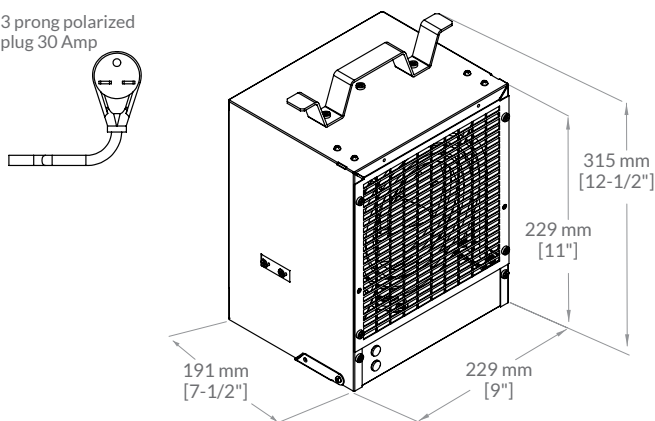
Portable Heat for Workshops | Garages | Construction Sites

### SPECIFICATIONS

|                 |  |
|-----------------|--|
| Voltage         | 240V   |
| Wattage         | 4800W  |
| Color           | Grey   |
| Finish          | Powder coating resists fading and abrasion                                   |
| Construction    | 22 gauge steel   |
| Heating Element | Stainless steel tubular element  |
| Controls        | Built-in, double-pole thermostat with temperature range of 5-57°C (41-135°F) |
| Warranty        | 1-year warranty on complete unit   |

### DIMENSIONS

3 prong polarized plug 30 Amp



### ORDERING GUIDE

| Cat. No. | Watts | BTU | Volts | CFM | Weight (kg/lb.) |
|----------|-------|-----|-------|-----|-----------------|
| EMC4240G | 4800  | 240 | 16377 | 300 | 4.95 / 10.9     |



Sealed Motor

