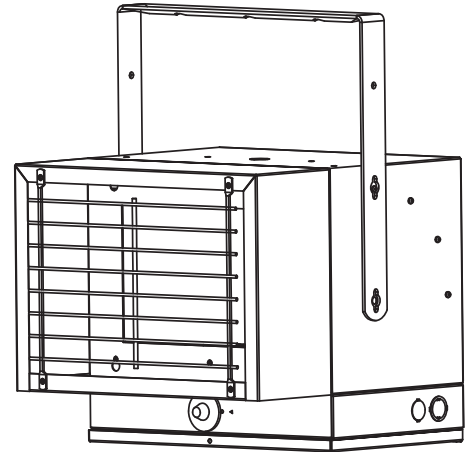




Marley
Engineered Products
An **SPX** Company



CFP25

Horizontal Plenum Heater

CFP25 SPECIFICATIONS- Ratings @ 0.20" SP

VOLTS	HZ	KW	PHASE	BTUH	CFM	FPM	RISE	AMPS*
240	50 / 60	2.5	1	8530	150	1880	60°F	10.7
208	50 / 60	1.9	1	6398	130	1880	46°F	9.42

(Thermostat temperature range : 40°F to 90°F)

* Includes motor amps.

Installation & Maintenance Instructions

Dear Owner,

Congratulations! Thank you for purchasing this new heater manufactured by Marley Engineered Products. You have made a wise investment selecting the highest quality product in the heating industry. Please carefully read the installation and maintenance instructions shown in this manual. You should enjoy years of efficient heating comfort with this product from Marley Engineered Products... the industry's leader in design, manufacturing, quality and service.

... The Employees of Marley Engineered Products



WARNING



Read Carefully - These instructions are written to help you prevent difficulties that might arise during installation of heaters. Studying the instructions first may save you considerable time and money later. Observe the following procedures, and cut your installation time to a minimum.

TO REDUCE THE RISK OF FIRE, ELECTRIC SHOCK OR HEATER FALLING:

1. Use minimum 75°C copper wire only.
2. Verify the power supply voltage coming to heater matches the ratings printed on heater nameplate before energizing.
3. Heater air flow must be directed parallel to, or away from adjacent walls.
4. Observe wall, floor, and ceiling clearance requirements. See Figure 1
5. All wiring must conform to national and local electrical codes and the heater must be grounded as a precaution

against possible electrical shock. Heater circuit must be protected with proper over current protection. See unit nameplate.

6. The mounting structure and the anchoring hardware must be capable of reliably supporting the weight of the heater and if used, the mounting bracket.
7. All electrical power must be disconnected at the main service box before installing, inspecting, cleaning or servicing the heater. This is a precaution to prevent possible electrical shock.
8. This heater is not suitable for use in hazardous location as defined by the National Fire Protection Association (NFPA). this heater has hot and arcing (sparking) parts inside. Do not use in areas where gasoline, paint, or flammable liquids are used or stored.
10. Improper installation or failure to follow the procedures outlined in this instruction manual can result in serious electrical shock.

READ AND SAVE THESE INSTRUCTIONS

GENERAL INFORMATION

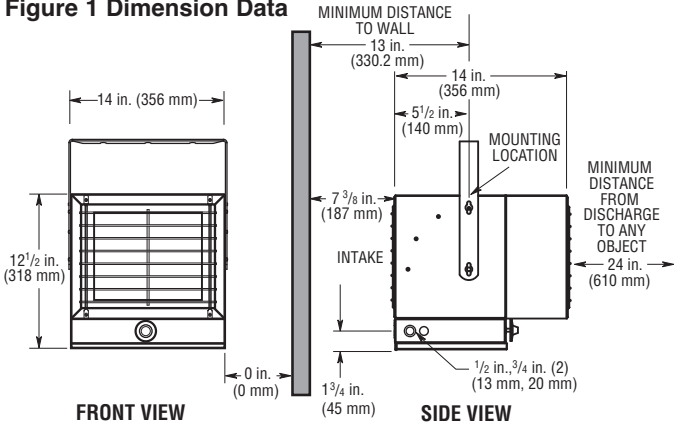
Model CFP25 is designed, tested and Listed by Intertek Testing Services NA, Inc. (ETL/C-ETL Listing Mark) to comply with the following standards:

USA: ANSI/UL 1995 titled "Heating and Cooling Equipment"

Canada: CSA C22.2 No. 236-05, third edition titled "Heating and Cooling Equipment"

This unit is specifically designed and approved for freeze protection installations into a concealed space and other areas not readily accessible. Typical applications include plenums and associated plenum spaces (such as areas above a finished ceiling that contain utilities), crawl spaces, water closets and other concealed locations where freeze protection is required. Note: rated static pressure is 0.20" sp. This unique heater is provided with a set of normally open contacts that can supply a line voltage signal to an alarm device if desired to provide early notice if for any reason the heater cycles off on its built-in over temperature safety control. This can provide an early notification to allow for repairs BEFORE a freeze up occurs

Figure 1 Dimension Data



Minimum Installation Clearances (See Figure 1)

SIDES, TOP AND BOTTOM 0 IN.

REAR: 7-3/8 in. (187 mm)

FRONT: 24 in. (610 mm)

Note: To access field wiring and heater controls requires the bottom panel door open as shown in Fig. 3. Consideration must be given to provide access to this panel.

WARNING

TURN OFF ALL ELECTRICAL POWER TO UNIT BEFORE PERFORMING ANY MAINTENANCE OR SERVICE ON UNIT. (UNLESS SPECIFIC TESTS REQUIRE ELECTRICAL SUPPLIES.) FAILURE TO TAKE THIS PRECAUTION MAY RESULT IN PERSONAL INJURY OR DEATH DUE TO ELECTRICAL SHOCK.

MOUNTING

This heater can be mounted using the mounting bracket provided with the heater or it may be mounted using the 1/2" - 13NC threaded hole provided on the top of the heater.

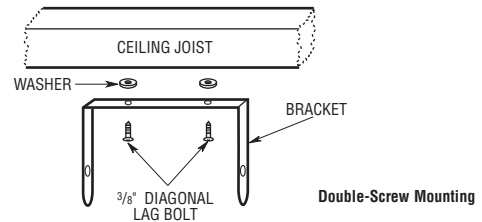
Mounting The Heater With Bracket

1. Remove the bracket from the heater and position to the desired mounting location (see Figure 2). Securely attach to the building structure using appropriate hardware (supplied by others).

CAUTION

TWO EACH, MIN. 3/8" DIA. MOUNTING BOLTS (OR LAG BOLTS), FLAT WASHERS, LOCK WASHERS, AND NUTS AS NECESSARY MUST BE USED SO THE HEATER WILL NOT FALL - SEE WARNING NO. 6.

Figure 2



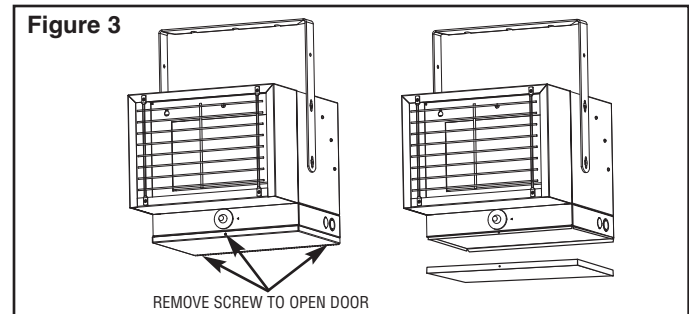
2. Attach heater to bracket using the keyhole slots in bracket and bolts provided with heater. Position heater as desired and tighten bolts.

Mounting The Heater With Threaded Rod

1. A 1/2"-13NC threaded hole is provided in top of heater enclosure for mounting the heater if desired. Optional mounting brackets are available from your electrical distributor for use with this heater. If one of these brackets is to be used, refer to the instructions provided with the bracket.
2. If a threaded rod is used, it must be securely attached to the building structure using appropriate brackets, washers, nuts and lock washers to secure the heater properly and prevent it from falling (see Warning No. 6, page 1).
3. When installing threaded rod into heater, make sure rod is inserted approximately 1" into heater to assure all threads are engaged. In addition, a 1/2" nut should be used as a jam nut to prevent the heater from rotating during operation.

Connecting the Power

1. To connect the power to the heater, simply remove the three screws from the bottom of the unit. This allows the cover to be removed, providing access to the electrical wiring and connectors. (See Fig. 3)



2. Attach the cable connectors to the unit and slide 10 gauge wire or appropriate size for amperage marked on the heater nameplate and length of run per NEC (National Electrical Code) through the cable connector. Pull enough of the wire through the connector to work with when making the connections.
3. Connect the wire to the power terminal block located in the base of the heater (See Figures 4 and 5).

Note: This unit is provided with two 1/4" male quick connect terminals (see Wiring Diagram, Figure 4) marked as Alarm 1 and Alarm 2, to allow for an external alarm to be connected to the unit if desired. This option can provide notification if the heater overheats and cycles on the thermal over-temperature limit. Each terminal (Alarm 1 or Alarm 2) will provide 120 volts to ground. Connection to both Alarm 1 and Alarm 2 terminals will supply line voltage (208 or 240V) to the alarm.

CAUTION

TO PREVENT DAMAGE TO THE ALARM DEVICE, IT MUST BE SUITABLE FOR VOLTAGE AS NOTED ABOVE.

4. Close the wiring compartment and replace the screw and turn on the power at the main service.

Figure 4 Wiring Diagram

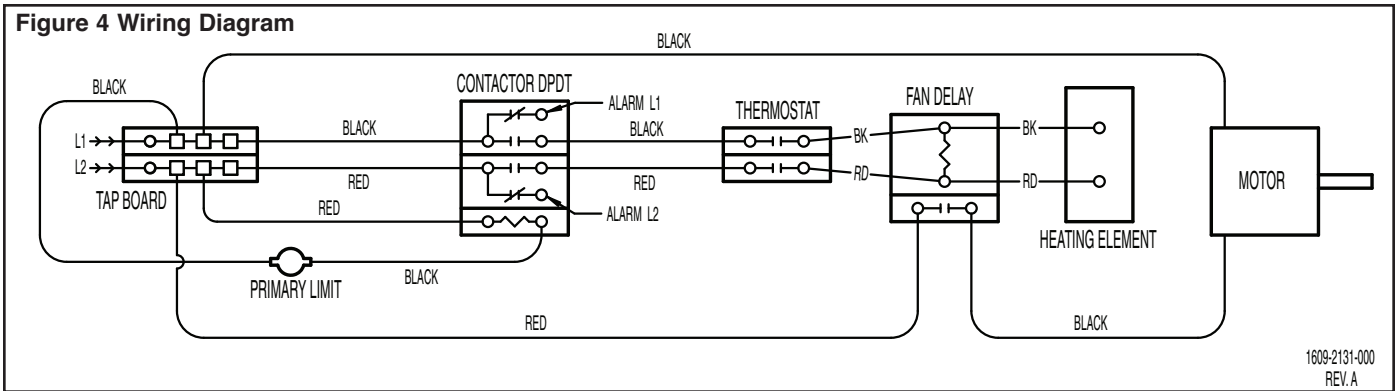
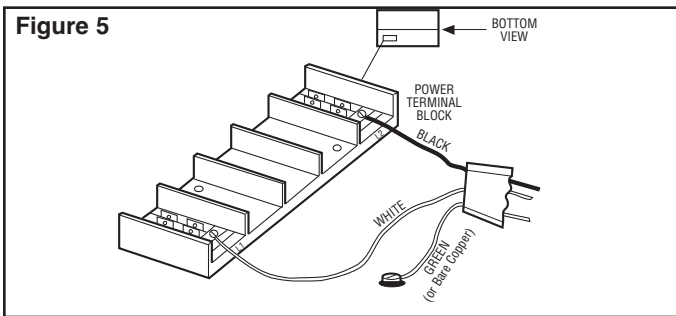


Figure 5



CAUTION

USE CARE TO PREVENT DAMAGE TO INTERNAL HEATER WIRING. MAKE SURE ALL CONNECTIONS REMAIN TIGHT.

OPERATION

Setting the Thermostat

Rotate thermostat knob clockwise to the high position. After desired temperature is obtained, rotate thermostat knob counter-clockwise until the thermostat clicks off. Heater will cycle on and off to maintain room temperature.

NOTE: The first time you operate the unit, it may smoke slightly. This is due to the residual cleaning agents used to clean the element when the heater is manufactured. This is normal and does not indicate a problem with the unit. This condition will stop after the heater has been in operation for a few minutes.

Timed Fan Delay

The CFP25 heater has a timed fan delay. When the thermostat calls for heat, fan action is delayed momentarily until the heating elements warm. This prevents the circulation of cold air. When the heater raises the temperature of the room to the thermostat set point, the heating element is turned off but the fan will continue to run for a short time. This prevents exposing the unit to residual heat, provides a higher comfort level and prolonged element life.

Thermal Cutout

The CFP25 heater is also equipped with a thermal cutout which will automatically shut off the heater in the event of overheating. The heater will turn on when the operating temperature returns to normal. Should the unit overheat and activate the thermal cutout cycle, the cause of the overheating should be determined before further operation.

MAINTENANCE

Cleaning the Heating Element

NOTE: Heater is installed in a concealed space. Unit should be checked at least annually to verify operation and to clean fan blades and elements.

WARNING

TO PREVENT POSSIBLE ELECTRICAL SHOCK, ALL POWER MUST BE SHUT OFF AT THE MAIN SERVICE BEFORE INSPECTING OR CLEANING.

To clean the heating element, open the bottom access panel (Figure 3) and disconnect the two element wires from the time delay. Remove the front outlet cabinet assembly by way of 4 screws (Figure 6). Remove grille from back inlet (motor/fan grille) by way of 4 screws. Remove the 4 screws mounting the element assembly to the fan deck and remove element assembly. Remove dust or lint with a soft brush or a vacuum cleaner. Replace element assembly, inlet grille, outlet cabinet, and reconnect element to time delay.

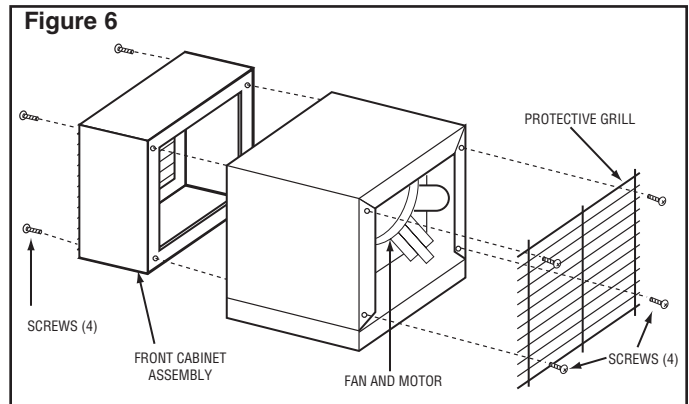
Cleaning the Fan and Motor

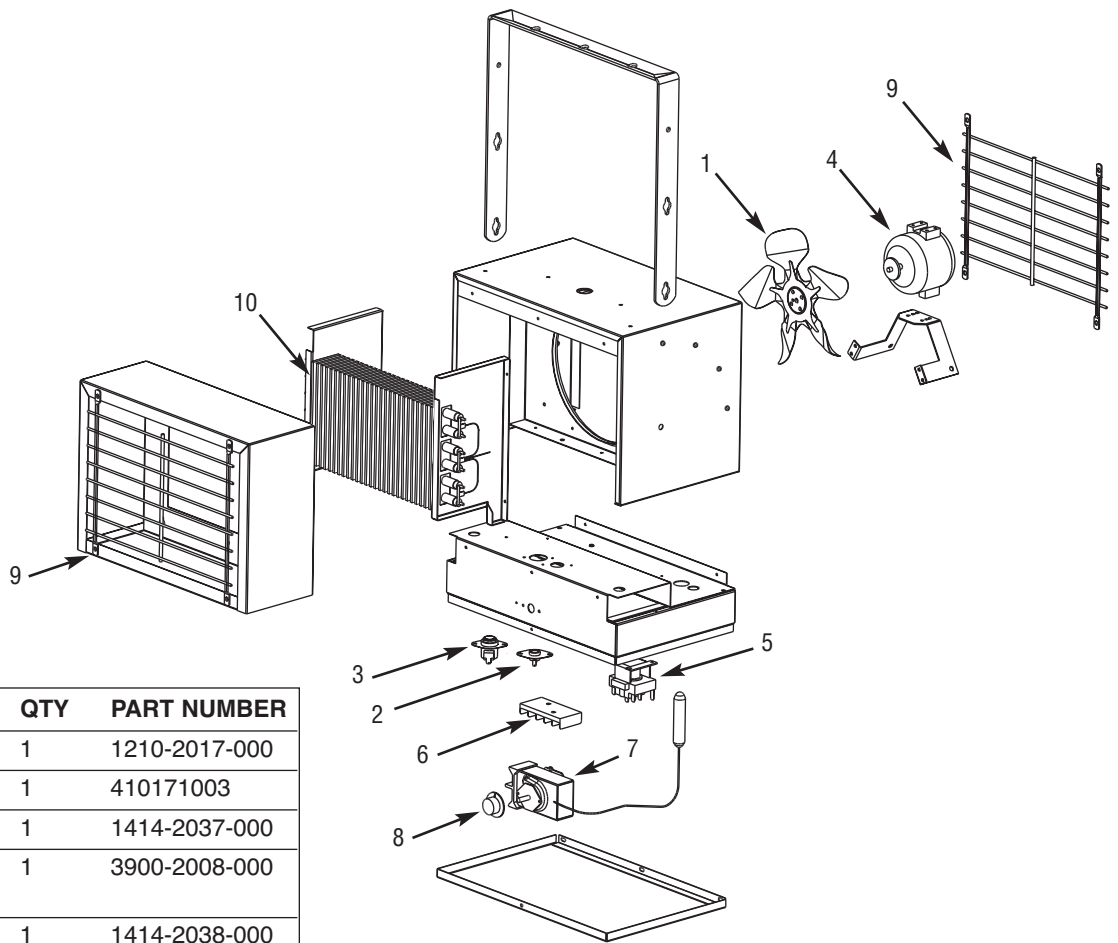
Remove the protective grille from the rear of the heater. This provides access to the fan and motor. Wipe off the fan and motor with a soft cloth or brush. The fan motor does not require lubrication. Replace protective grille. (See Figure 6.)

CAUTION

USE CARE TO PREVENT DAMAGE TO INTERNAL HEATER WIRING WHEN CLEANING ELEMENT. MAKE SURE ALL CONNECTIONS REMAIN TIGHT AND ALL WIRING IS ROUTED AWAY FROM ELEMENT FINS WHEN REASSEMBLING THE UNIT. ALLOWING WIRING TO TOUCH THE ELEMENT FINS COULD RESULT IN A FIRE HAZARD.

Figure 6





REPAIR PARTS

REF	DESCRIPTION	QTY	PART NUMBER
1	Fan Blade	1	1210-2017-000
2.	Time Delay	1	410171003
3	High Limit	1	1414-2037-000
4.	Motor - 6 watt unit bearing	1	3900-2008-000
5.	Relay	1	1414-2038-000
6.	Terminal Block	1	5823-0004-000
7.	Thermostat	1	5813-2091-000
8.	Thermostat Knob	1	3301-2053-000
9.	Wire Guard	2	312056-000
10.	Element	-	302006807

LIMITED WARRANTY

All products manufactured by Marley Engineered Products are warranted against defects in workmanship and materials for one year from date of installation, except heating elements which are warranted against defects in workmanship and materials for five years from date of installation. This warranty does not apply to damage from accident, misuse, or alteration; nor where the connected voltage is more than 5% above the nameplate voltage; nor to equipment improperly installed or wired or maintained in violation of the product's installation instructions. All claims for warranty work must be accompanied by proof of the date of installation.

The customer shall be responsible for all costs incurred in the removal or reinstallation of products, including labor costs, and shipping costs incurred to return products to Marley Engineered Products Service Center. Within the limitations of this warranty, inoperative units should be returned to the nearest Marley authorized service center or the Marley Engineered Products Service Center, and we will repair or replace, at our option, at no charge to you with return freight paid by Marley. It is agreed that such repair or replacement is the exclusive remedy available from Marley Engineered Products.

THE ABOVE WARRANTIES ARE IN LIEU OF ALL OTHER WARRANTIES EXPRESSED OR IMPLIED. AND ALL IMPLIED WARRANTIES OF MERCHANTABILITY AND FITNESS FOR A PARTICULAR PURPOSE WHICH EXCEED THE AFORESAID EXPRESSED WARRANTIES ARE HEREBY DISCLAIMED AND EXCLUDED FROM THIS AGREEMENT. MARLEY ENGINEERED PRODUCTS SHALL NOT BE LIABLE FOR CONSEQUENTIAL DAMAGES ARISING WITH RESPECT TO THE PRODUCT, WHETHER BASED UPON NEGLIGENCE, TORT, STRICT LIABILITY, OR CONTRACT.

Some states do not allow the exclusion or limitation of incidental or consequential damages, so the above exclusion or limitation may not apply to you. This warranty gives you specific legal rights, and you may also have other rights which vary from state to state.

For the address of your nearest authorized service center, contact Marley Engineered Products in Bennettsville, SC, USA, at 1-800-642-4328. Merchandise returned to the factory must be accompanied by a return authorization and service identification tag, both available from Marley Engineered Products. When requesting return authorization, include all catalog numbers shown on the products.

HOW TO OBTAIN WARRANTY SERVICE AND WARRANTY PARTS PLUS GENERAL INFORMATION

1. Warranty Service or Parts **1-800-642-4328**
2. Purchase Replacement Parts **1-800-654-3545**
3. General Product Information **www.marleymep.com**

Note: When obtaining service always have the following:

1. Model number of the product
2. Date of manufacture
3. Part number or description



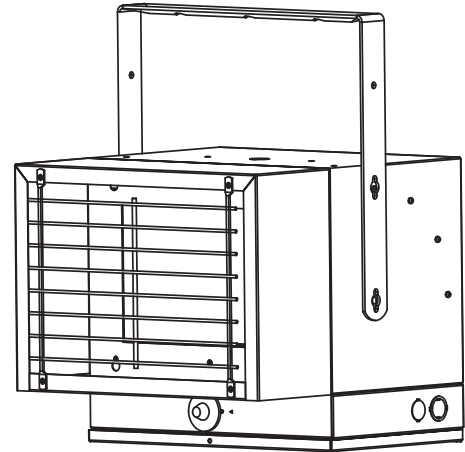
Marley

Engineered Products

An **SPX** Company
470 Beauty Spot Rd. East
Bennettsville, SC 29512 USA



Marley
Engineered Products
An **SPX** Company



CFP25

Calefactor horizontal para cámara

ESPECIFICACIONES DEL CFP25 – Valores nominales @ presión estática = 0.20”

TENSIÓN (VOLTS)	FRECUENCIA (Hz)	POTENCIA (KW) FASES	POTENCIA CALÓRICA (BTU/h)	CAUDAL DE AIRE (PIES CÚBICOS POR MINUTO)	VELOCIDAD DEL AIRE (PIES POR MINUTO)	(PIES POR MINUTO)	SOBREELEVACIÓN DE TEMPERATURA	CONSUMO (AMPERES)*
240	50 / 60	2.5	1	8530	150	1880	33 °C (60°F)	10.7
208	50 / 60	1.9	1	6398	130	1880	26 °C (46°F)	9.42

(Intervalo de temperaturas del termostato: 4.4 °C [40 °F] a 32.2 °C [90 °F])

* Incluye el consumo del motor.

Instrucciones de instalación y mantenimiento

Estimado propietario:

¡Felicitaciones! Gracias por comprar este nuevo calefactor fabricado por Marley Engineered Products. Al seleccionar el producto de más alta calidad de la industria de calefacción, usted ha hecho una sabia inversión. Por favor, lea cuidadosamente las instrucciones de instalación y mantenimiento incluidas en este manual. Así podrá disfrutar de años de calefacción confortable y eficiente con este producto de Marley Engineered Products... el líder de la industria en diseño, fabricación, calidad y servicio.

... Los empleados de Marley Engineered Products

⚠ ADVERTENCIA ⚠

Lea cuidadosamente – Estas instrucciones están escritas para ayudarle a superar las dificultades que podrían aparecer durante la instalación de calefactores. El estudio previo de estas instrucciones puede ahorrarle considerable tiempo y dinero en el futuro. Observe los procedimientos que siguen, y reducirá el tiempo de instalación a un mínimo.

Para reducir el riesgo de incendio, choque eléctrico o caída del calefactor:

- Utilice únicamente cables de cobre que soporten 75 °C como mínimo.
- Antes de aplicar alimentación eléctrica, verifique que la tensión de alimentación provista al calefactor sea compatible con la tensión nominal impresa en la placa de características del mismo.
- La circulación de aire del calefactor debe dirigirse paralelamente a las paredes adyacentes, o en dirección opuesta a ellas.
- Observe los requisitos de espacio libre en relación con las paredes, piso y cielorraso. Vea la Figura 1
- Todo el conexionado debe hacerse de conformidad con los códigos eléctricos nacionales y locales, y el calefactor debe estar conectado a tierra, como precaución contra la posibilidad de choque eléctrico. El circuito del calefactor debe estar protegido adecuadamente contra sobrecorrientes. Vea la placa de características de la unidad.
- La estructura de montaje y los accesorios de anclaje deben ser capaces de soportar confiablemente el peso del calefactor y, en caso de utilizarlo, del soporte de montaje.
- Antes de instalar, inspeccionar, limpiar o prestar servicio al calefactor debe desconectarse toda la alimentación eléctrica en el tablero principal de servicio. Esta es una precaución tendiente a evitar un posible choque eléctrico.
- Este calefactor no es apto para su empleo en lugares peligrosos según la definición de la Asociación Nacional de Protección contra Incendio (NFPA) de los Estados Unidos. Tiene en su interior piezas calientes, y piezas en las que se producen arcos (chispas). No lo utilice en áreas en las que se utilice o almacene gasolina, pintura o líquidos inflamables.
- Una instalación incorrecta, o la falta de cumplimiento de los procedimientos indicados en este manual de instrucciones, pueden provocar un grave choque eléctrico.

GUARDE ESTAS INSTRUCCIONES

INFORMACIÓN GENERAL

El modelo CFP25 está diseñado, probado y registrado por Intertek Testing Services NA, Inc. (Marca de Registro ETL/C-ETL) para cumplir con las normas siguientes:

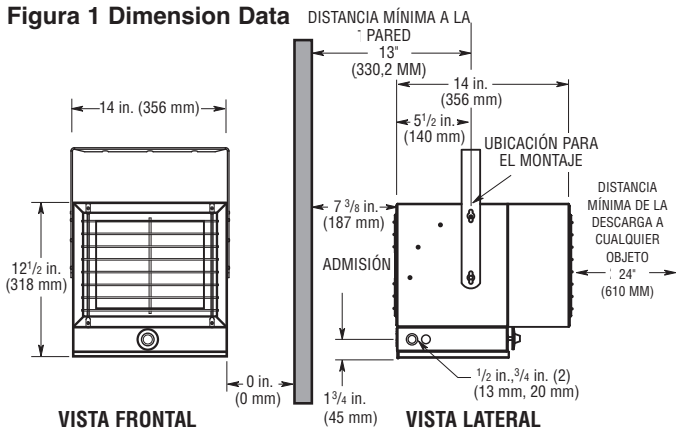
EE. UU.: ANSI/UL 1995, titulada "Equipos de calefacción y refrigeración"

Canadá: CSA C22.2 N° 236-05, tercera edición, titulada "Equipos de calefacción y refrigeración"

Esta unidad está diseñada y aprobada específicamente para instalaciones de protección contra la congelación en espacios ocultos y otras áreas de acceso difícil. Sus aplicaciones típicas comprenden cámaras y sus espacios asociados (como las zonas que contienen instalaciones y están encima de un cielorraso terminado), espacios bajo el piso, servicios sanitarios y otros lugares ocultos en los que se necesite una protección contra la congelación.

Nota: la presión estática nominal es 0.20". Este calefactor exclusivo se suministra con un conjunto de contactos normalmente abiertos que pueden suministrar, si se desea, una señal de tensión de línea a un dispositivo de alarma, para dar un aviso anticipado si por alguna razón el calefactor hace ciclos de activación de su control integrado de seguridad de sobretemperatura. Esto puede brindar una notificación temprana para permitir hacer reparaciones ANTES de que se produzca la congelación.

Figura 1 Dimension Data



Espacios libres mínimos de instalación (vea la Figura 1)

COSTADOS, ARRIBA Y ABAJO: 0 (cero)

ATRÁS: 187 mm (7-3/8 pulg.)

ADELANTE: 610 mm (24 pulg.)

Nota: para tener acceso al cableado del sitio y a los controles del calefactor debe abrirse el panel inferior, como se muestra en la Fig. 3. Debe tomarse en consideración proporcionar acceso a este panel.



ADVERTENCIA



ANTES DE REALIZAR TAREAS DE MANTENIMIENTO O DE SERVICIO A LA UNIDAD, DESCONECTE TODA LA ALIMENTACIÓN ELÉCTRICA DE LA MISMA. (A MENOS QUE DETERMINADAS PRUEBAS REQUIERAN EL USO DE ALIMENTACIÓN ELÉCTRICA). SI NO SE TOMA ESTA PRECAUCIÓN PUEDEN PRODUCIRSE LESIONES PERSONALES O LA MUERTE POR CHOQUE ELÉCTRICO.

MONTAJE

Este calefactor puede montarse mediante el soporte de montaje provisto con él, o utilizando el agujero roscado de 1/2"-13NC provisto en su cara superior.

Montaje del calefactor con soporte

1. Retire el soporte del calefactor y colóquelo en la posición de montaje deseada (vea la Figura 2). Fíjelo firmemente a la estructura del edificio mediante los accesorios de montaje adecuados (suministrados por terceros).

2. Sujete el calefactor al soporte, utilizando las ranuras tipo bocallave

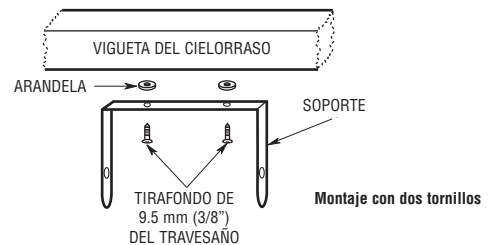


ATENCIÓN



PARA QUE EL CALEFACTOR NO SE CAIGA DEBEN USARSE DOS PERNOS (O TIRAFONDOS) DE MONTAJE DE 9.5 MM (3/8") DE DIÁMETRO COMO MÍNIMO, ARANDELAS PLANAS, ARANDELAS DE PRESIÓN Y TUERCAS SEGÚN SEA NECESARIO. VEA LA ADVERTENCIA N° 6.

Figura 2



que están en el soporte y los pernos provistos con el calefactor. Coloque el calefactor en la posición deseada y apriete los pernos.

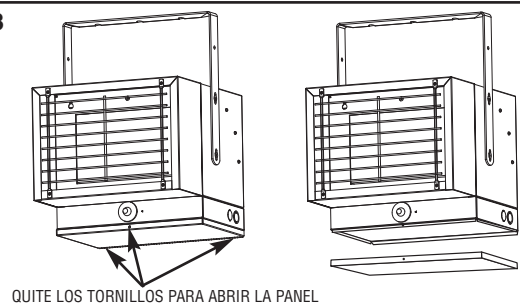
Montaje del calefactor con varilla roscada

1. En la cara superior del gabinete del calefactor se proporciona un agujero roscado de 1/2"-13NC para el montaje del mismo, si fuera necesario. Puede obtener, de su distribuidor de productos eléctricos, soportes de montaje opcionales para el uso con este calefactor. Si va a utilizar alguno de estos soportes, consulte las instrucciones que se proporcionan con el mismo.
2. Si se utiliza una varilla roscada, debe fijarse firmemente a la estructura del edificio mediante los soportes, arandelas, tuercas y arandelas de presión adecuadas, para sujetar correctamente el calefactor y evitar que se caiga (vea la Advertencia N° 6, página 1).
3. Cuando instale la varilla roscada en el calefactor, asegúrese de insertarla aproximadamente 25 mm (1") para que todas las roscas hagan contacto. Además debe utilizarse una tuerca de 13 mm (1/2") como contratuerca, para evitar que el calefactor gire durante la operación.

Conexión de la alimentación eléctrica

1. Para conectar la alimentación eléctrica al calefactor, simplemente quite los tres tornillos del fondo de la unidad. Esto permite que el panel inferior esté quitado, proporcionando acceso al conexionado eléctrico y sus conectores. (Vea la Fig. 3).

Figura 3



2. Conecte los conectores de cable a la unidad y deslice por el conector un cable calibre 10 o de tamaño apropiado para el consumo (amperes) marcado en la placa de características del calefactor y la longitud del tramo, según las recomendaciones del Código Eléctrico Nacional (NEC) de los Estados Unidos. Cuando haga las conexiones, extraiga a través del conector una cantidad suficiente de cable para trabajar.
3. Conecte el cable a la bornera de alimentación eléctrica, ubicada en la base del calefactor (vea las Figuras 4 y 5).

Nota: esta unidad se provee con dos terminales macho de conexión rápida de 6.4 mm (1/4") (vea el Diagrama de conexionado, Figura 4) marcados Alarm 1 y Alarm 2, para poder conectar a la unidad una alarma externa si fuera necesario. Esta opción puede proporcionar una notificación si el calefactor sobrecalienta y hace ciclos de activación del límite térmico de sobretemperatura. Cada terminal (Alarm 1 o Alarm 2) suministrará una tensión de 120 volts respecto a tierra. La conexión a ambos terminales, Alarm 1 y Alarm 2, suministrará la tensión de línea (208 V ó 240 V) a la alarma.

4. Cierre el compartimento de cableado y vuelva a colocar el tornillo. Conecte la alimentación eléctrica en el tablero principal.

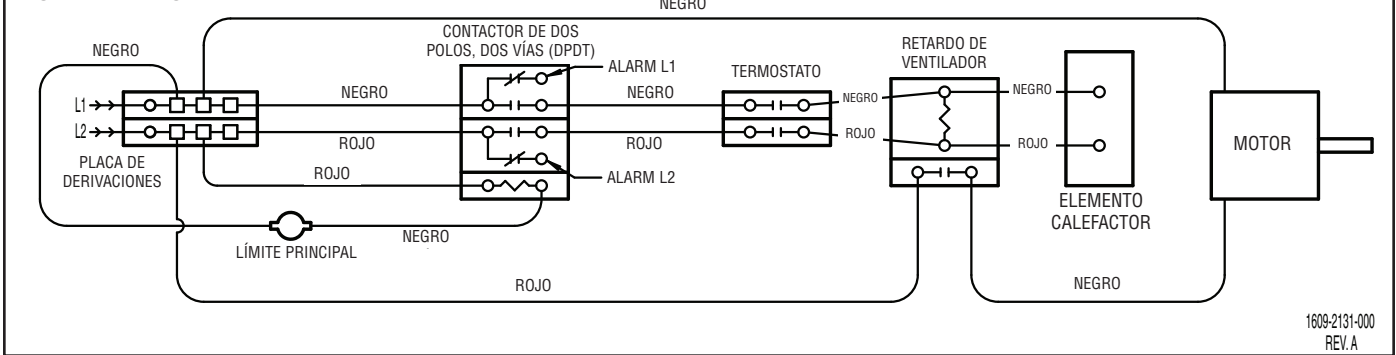


ATENCIÓN



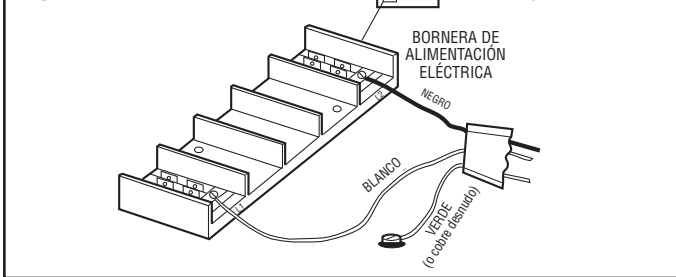
PARA EVITAR DAÑOS AL DISPOSITIVO DE ALARMA, ÉSTE DEBE SER ADECUADO PARA LA TENSIÓN INDICADA.

Figura 4 - Diagrama de conexionado



1609-2131-000
REV. A

Figura 5



ATENCIÓN

TENGA CUIDADO PARA EVITAR DAÑAR EL CONEXIONADO INTERNO DEL CALEFACTOR. ASEGÚRESE DE QUE TODAS LAS CONEXIONES PERMANEZCAN FIRMES.

OPERACIÓN

Ajuste del termostato

Haga girar la perilla del termostato en sentido horario, hasta la posición de temperatura más alta. Después de haber obtenido la temperatura deseada, haga girar la perilla del termostato en sentido antihorario hasta que el termostato haga un 'clic' e interrumpa el calentamiento. El calefactor hará ciclos de encendido y apagado, para mantener la temperatura de la habitación.

NOTA: la primera vez que usted haga funcionar la unidad, es posible que humee levemente. Esto se debe a los residuos de los agentes limpiadores que se utilizaron para limpiar el elemento calefactor cuando se fabricó la unidad. Esto es normal, y no está indicando ningún problema con la unidad. Esta condición desaparecerá después de que el calefactor haya estado funcionando durante unos pocos minutos.

Retardo temporizado del ventilador

El CFP25 cuenta con un retardo temporizado de ventilador. Cuando el termostato demanda calor, la acción del ventilador se demora momentáneamente hasta que el elemento calefactor se caliente. Esto impide la circulación de aire frío. Cuando el calefactor eleva la temperatura de la habitación hasta el valor prefijado por el termostato, el elemento calefactor se apaga, pero el ventilador continúa funcionando durante un tiempo breve. Esto impide la exposición de la unidad al calor residual, con lo que proporciona un mayor nivel de confort y prolonga la vida del elemento calefactor.

Protección térmica

El calefactor CFP25 está equipado también con una protección térmica que apagará automáticamente la unidad en caso de sobrecalentamiento. El calefactor se encenderá cuando la temperatura de funcionamiento vuelva a su valor normal. Si la unidad se sobrecalienta y activa el ciclo de la protección térmica, debe determinarse la causa del sobrecalentamiento antes de continuar la operación.

MANTENIMIENTO

Limpeza del elemento calefactor

NOTA: el calefactor está instalado en un espacio oculto. La unidad debe revisarse al menos anualmente, para verificar su funcionamiento y para limpiar las paletas del ventilador y el elemento calefactor.



ADVERTENCIA

PARA PREVENIR UN POSIBLE CHOQUE ELÉCTRICO, ANTES DE INSPECCIONAR O LIMPIAR LA UNIDAD DEBE CORTARSE TODA LA ALIMENTACIÓN ELÉCTRICA EN EL TABLERO PRINCIPAL DE SERVICIO.

Para limpiar el elemento calefactor, abra el panel inferior de acceso (Figura 3) y desconecte del temporizador los dos cables del elemento. Extraiga el conjunto del gabinete delantero de salida mediante sus 4 tornillos (Figura 6). Extraiga la rejilla de la entrada posterior (rejilla del motor/ventilador) mediante sus 4 tornillos. Extraiga los 4 tornillos que sujetan el conjunto del elemento calefactor a la plataforma del ventilador, y retire el conjunto del elemento calefactor. Quite el polvo o la pelusa que pudiera haber mediante un cepillo suave o una aspiradora. Vuelva a colocar el conjunto del elemento calefactor, la rejilla de entrada y el gabinete de salida, y vuelva a conectar el elemento calefactor al temporizador.

Limpeza del ventilador y del motor

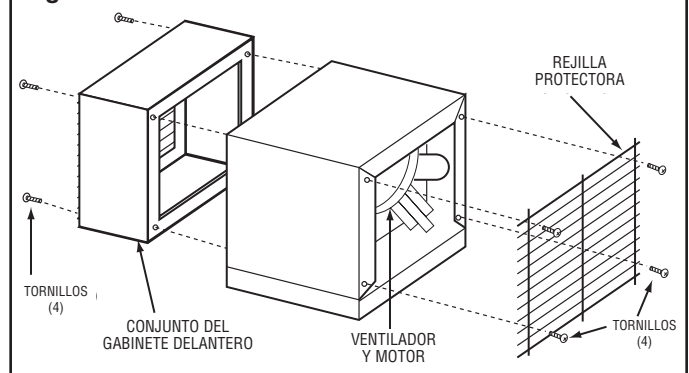
Quite la rejilla protectora de la parte posterior del calefactor. Esto permite el acceso al ventilador y al motor. Limpie el ventilador y el motor con un paño o cepillo suave. El motor del ventilador no necesita lubricación. Vuelva a colocar la rejilla protectora. (Vea la Figura 6).

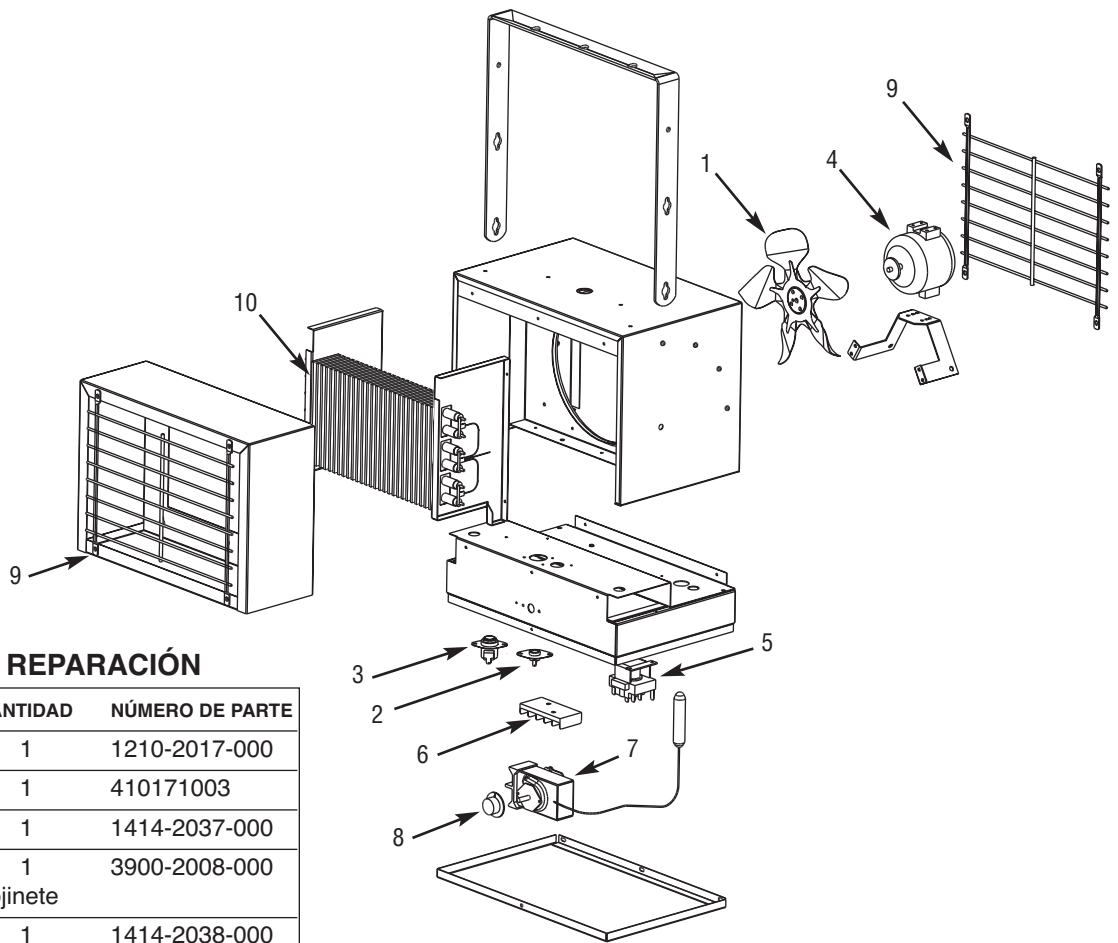


ATENCIÓN

AL LIMPIAR EL ELEMENTO CALEFACTOR, TENGA CUIDADO PARA EVITAR DAÑAR EL CONEXIONADO INTERNO DEL CALEFACTOR. AL VOLVER A MONTAR LA UNIDAD, ASEGÚRESE DE QUE TODAS LAS CONEXIONES PERMANEZCAN FIRMES Y QUE TODO EL CONEXIONADO PASE LEJOS DE LAS ALETAS DEL ELEMENTO CALEFACTOR. SI SE PERMITE QUE EL CONEXIONADO TOQUE LAS ALETAS DEL ELEMENTO CALEFACTOR, PUEDE HABER RIESGO DE INCENDIO.

Figura 6





COMPONENTES PARA REPARACIÓN

REF.	DESCRIPCIÓN	CANTIDAD	NÚMERO DE PARTE
1	Paleta del ventilador	1	1210-2017-000
2	Temporizador	1	410171003
3	Límite superior	1	1414-2037-000
4	Motor - 6 watts, unidad de cojinete	1	3900-2008-000
5	Relé	1	1414-2038-000
6	Bornera	1	5823-0004-000
7	Termostato	1	5813-2091-000
8	Perilla del termostato	1	3301-2053-000
9	Protección de alambre	2	312056-000
10	Elemento calefactor	-	302006807

GARANTÍA LIMITADA

Todos los productos fabricados por Marley Engineered Products están garantizados contra defectos de fabricación y de materiales por un año desde la fecha de instalación, a excepción de los elementos calefactores, que están garantizados contra defectos de fabricación y de materiales por diez años desde la fecha de instalación. Esta garantía no se aplica a daños debidos a accidente, mal uso o alteración, ni a los casos en que la tensión eléctrica conectada supere a la tensión nominal -indicada en la placa de características- en más de un 5 %, ni a equipos que hayan sido instalados o cableados incorrectamente, o mantenidos en forma violatoria de lo indicado en las instrucciones de instalación del producto. Todo reclamo por trabajos en garantía debe acompañarse con una prueba de la fecha de instalación.

El cliente será responsable de todos los costos incurridos en el retiro o reinstalación de productos, incluyendo los costos de mano de obra y los costos de envío incurridos para regresar productos al Centro de Servicio de Marley Engineered Products. Dentro de las limitaciones de esta garantía, las unidades que no funcionen deben regresarse al Centro de Servicio autorizado por Marley más cercano o al Centro de Servicio de Marley Engineered Products, y nosotros los repararemos o reemplazaremos, a nuestra opción, sin cargo para usted, con el flete de retorno pagado por Marley. Se acuerda que tal reparación o reemplazo es el único recurso que Marley Engineered Products pone a su disposición.

LAS GARANTÍAS EXPUESTAS MÁS ARRIBA TOMAN EL LUGAR DE TODA OTRA GARANTÍA, EXPRESA O IMPLÍCITA, Y POR LA PRESENTE SE DECLINA Y EXCLUYE DE ESTE ACUERDO TODA GARANTÍA IMPLÍCITA DE COMERCIABILIDAD Y ADECUACIÓN A UN PROPOSITO PARTICULAR QUE EXCEDA LAS GARANTÍAS EXPRESAS ANTEDICHAS. MARLEY ENGINEERED PRODUCTS NO SE HARÁ RESPONSABLE POR DAÑOS CONSIGUIENTES QUE SE PRODUZCAN CON RESPECTO AL PRODUCTO, EN BASE YA SEA A NEGLIGENCIA, AGRAVIO, RESPONSABILIDAD ETRICTA, O CONTRATO.

Algunos estados o jurisdicciones no permiten la exclusión o limitación de daños incidentales o consiguientes, de modo que la exclusión o limitación expresada más arriba puede no aplicarse a su caso. Esta garantía le da derechos legales específicos, y usted puede tener también otros derechos, que varían de un estado o jurisdicción a otro.

Para obtener la dirección de su centro de servicio autorizado más cercano, comuníquese con Marley Engineered Products, en Bennettsville, SC, Estados Unidos de América, llamando al 1-800-642-4328. Toda mercadería regresada a la fábrica debe ser acompañada por una autorización de retorno y una etiqueta de identificación de servicio, disponibles ambas en Marley Engineered Products. Cuando solicite la autorización de retorno, incluya todos los números de catálogo mostrados en los productos.

CÓMO OBTENER SERVICIO EN GARANTÍA, PIEZAS DE REPUESTO E INFORMACIÓN GENERAL

- Servicio o repuestos, en garantía: **1-800-642-4328**
- Compra de piezas de repuesto: **1-800-654-3545**
- Información general sobre productos: **www.marleymep.com**

Nota: cuando solicite servicio, siempre dé la información que sigue:

- Número de modelo del producto
- Fecha de fabricación
- Número de parte o descripción



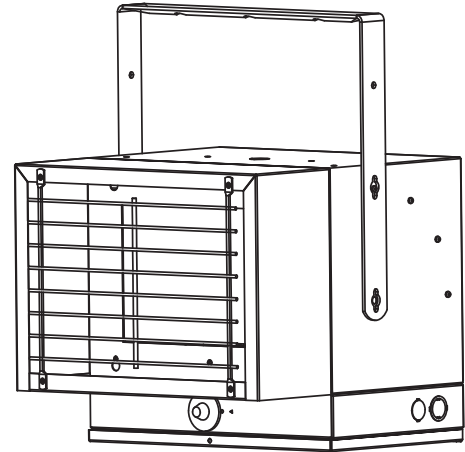
Marley
Engineered Products

An **SPX** Company

470 Beauty Spot Rd. East
Bennettsville, SC 29512 USA



Marley
Engineered Products
An **SPX** Company



CFP25

Chauffage horizontal pour plénum

SPÉCIFICATIONS DU CFP25 – Valeurs nominales à pression statique de 0,2"

VOLTS	HZ	KW	PHASE	BTU/H	CFM	FPM	MONTÉE	AMPÈRES*
240	50 / 60	2,5	1	8 530	150	1 880	60°F	10,7
208	50 / 60	1,9	1	6 398	130	1 880	46°F	9,42

(Plage de température de thermostat : 40 – 90°F ou 4,4 – 32,2 °C)

* Incluant la consommation du moteur

Instructions d'installation et d'entretien

Cher client,

Félicitations ! Merci d'avoir acheté ce nouveau radiateur fabriqué par Marley Engineered Products. Vous avez fait un excellent investissement en sélectionnant un produit de la plus haute qualité dans l'industrie du chauffage. Veuillez lire avec soin les recommandations d'installation et d'entretien données dans ce manuel. Vous devriez bénéficier d'années de confort de chauffage efficace avec ce produit de Marley Engineered Products ... le numéro un de cette industrie en conception, fabrication, qualité et service.

... les employés de Marley Engineered Products



AVERTISSEMENT



À lire attentivement – Ces instructions sont écrites pour vous aider à éviter les difficultés qui pourraient survenir durant l'installation des chauffages. En étudiant ces instructions vous pouvez tout d'abord gagner pas mal de temps, et ensuite économiser de l'argent. Observez donc les procédures qui suivent pour réduire votre durée d'installation à un minimum.

PPOUR DIMINUER LES RISQUES D'INCENDIE, COMMOTION ÉLECTRIQUE OU CHUTE DU CHAUFFAGE :

1. N'utilisez que des fils de cuivre résistant à au moins 75 °C.
2. Vérifiez que la tension d'alimentation secteur qui arrive au chauffage correspond aux spécifications portées sur sa plaque signalétique avant de le mettre en marche.
3. Le flux d'air venant du chauffage doit être dirigé parallèlement aux cloisons adjacentes, ou s'en écarter.
4. Observez les espacements requis par rapport à cloison, plancher et plafond (Voir la Figure 1).
5. Tout le câblage doit être en conformité avec les normes électriques nationales et locales, et le chauffage doit être relié à la terre comme

précaution contre une possible commotion électrique. Le chauffage doit être protégé par une protection adéquate contre une surintensité. Reportez-vous à la plaque signalétique de l'unité.

6. La structure de montage, et la visserie et les chevilles d'ancrage, doivent pouvoir supporter sans danger le poids du chauffage, avec s'il y a lieu celui de son support de montage.
7. Toute l'alimentation électrique doit être coupée au coffret de branchement en amont avant d'intervenir sur le chauffage pour installation, inspection, nettoyage ou dépannage. C'est une précaution afin d'éviter une possible commotion électrique.
8. Ce chauffage ne convient pas pour une utilisation dans un lieu dangereux tel que défini par la NFPA (association américaine de protection contre les incendies). Ce chauffage comporte à l'intérieur des pièces chaudes et productrices d'étincelles. Ne l'utilisez pas dans des zones où essence, peinture ou liquides inflammables sont utilisés ou entreposés.
10. Une installation incorrecte, ou le non respect des procédures décrites dans ce manuel, peuvent entraîner une grave commotion électrique.

LIRE ET CONSERVER CES INSTRUCTIONS

INFORMATIONS GÉNÉRALES

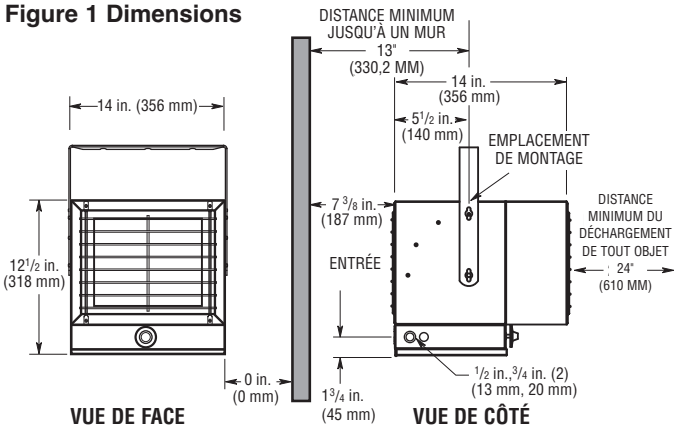
Le modèle CFP25 est conçu, testé et listé par Interlek Testing Services NA, Inc. (marque listée ETL/C-ETL) comme répondant aux normes suivantes :

USA : ANSI/UL A995 (équipements de chauffage et de refroidissement)

CANADA : CSA C22.2 N° 236-05, troisième édition (équipements de chauffage et de refroidissement)

Cette unité est spécialement conçue et approuvée pour des installations de protection contre le gel en espace confiné et autres endroits d'accès difficile. Les applications habituelles incluent plénums et espaces associés (comme les zones au-dessus d'un plafond fini qui contiennent des commodités), vides sanitaires, toilettes et autre endroits cachés qui ont besoin d'être protégés du gel. Remarque : pression statique nominale de 0,20". Ce chauffage unique est livré avec un jeu de contacts normalement ouverts qui peuvent fournir une tension secteur pour actionner un dispositif d'alarme si on le souhaite, pour prévenir tôt si pour une raison quelconque le chauffage se coupe du fait de sa sécurité intégrée en cas de surchauffe. Cela permet d'avertir pour réparer AVANT que le gel ne soit survenu.

Figure 1 Dimensions



Espacements minimum pour l'installation (Voir Figure 1)

CÔTÉS, DESSUS ET BAS :	0
ARRIÈRE :	7-3/8" (187 mm)
AVANT :	24" (610 mm)

Remarque : pour accéder au câblage sur site et aux commandes du chauffage, il faut que la panneau du bas soit ouverte comme montré en Figure 3. Il faut prendre des dispositions pour conserver un accès à ce panneau.

⚠ AVERTISSEMENT ⚡

COUPEZ TOUTE ALIMENTATION ÉLECTRIQUE VERS CE CHAUFFAGE AVANT D'INTERVENIR DESSUS POUR TOUT ENTRETIEN OU DÉPANNAGE (SAUF SI DES TESTS SPÉCIFIQUES DOIVENT SE FAIRE SOUS TENSION). LE NON RESPECT DE CETTE PRÉCAUTION PEUT ENTRAÎNER DES BLESSURES GRAVES OU MORTELLES PAR ÉLECTROCUTION.

MONTAGE

Ce chauffage peut se monter en utilisant le support d'installation fourni avec, ou en utilisant le trou fileté 1/2" – 13NC qui se trouve sur le haut du chauffage.

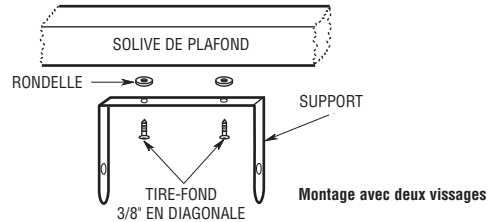
Montage du chauffage avec le support

1. Enlevez le support du chauffage et positionnez-le sur l'endroit de montage voulu (Voir Figure 2). Fixez-le solidement sur la structure du bâtiment en utilisant la visserie et les chevilles appropriées (fourniture locale).
2. Fixez le chauffage sur ce support en utilisant les fentes en trou de

⚠ ATTENTION ⚡

IL FAUT AU MINIMUM DEUX JEUX DE BOULONS (DIAMÈTRE 3/8" AU MINIMUM) OU TIRE-FONDS, RONDELLES PLATES, RONDELLES DE BLOCAGE ET ÉCROUS POUR QUE LE CHAUFFE-EAU NE RISQUE PAS DE TOMBER (VOIR L'AVERTISSEMENT N° 6).

Figure 2



serrure du support et les boulons fournis avec le chauffage. Positionnez au mieux le chauffage et serrez ces boulons.

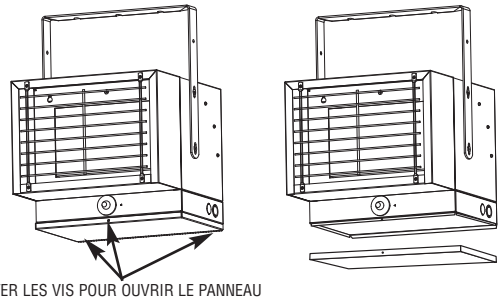
Montage du chauffage avec tige filetée

1. Un trou fileté 1/2" – 13NC se trouve sur le haut du carter du chauffage pour pouvoir monter ce chauffage. Des supports de montage optionnels sont disponibles chez votre distributeur de matériel électrique afin d'être utilisés avec ce chauffage. Si un de ces supports doit être utilisé, reportez-vous aux instructions qui sont données avec.
2. Si une tige filetée est utilisée, elle doit être bien fixée dans la structure du bâtiment en utilisant des supports, rondelles, écrous et rondelles de blocage appropriés pour bien fixer le chauffage et éviter qu'il ne puisse tomber (Voir l'avertissement N° 6 de la première page).
3. Quand vous installez la tige filetée dans le chauffage, assurez-vous qu'elle y entre d'environ 1" (2,5 cm) pour assurer que tous les filets soient engagés. De plus un écrou de 1/2" doit être utilisé comme contre-écrou pour éviter que le chauffage ne tourne durant l'opération.

Branchement électrique

1. Pour alimenter électriquement le chauffage, il suffit d'enlever les trois vis sur son bas. Cela permet de retirer le panneau inférieur, en donnant accès au câblage et aux connecteurs électriques (Voir Figure 3).

Figure 3



2. Fixez les connecteurs de câble sur l'unité et glissez dans le connecteur de câble un fil de calibre 10 ou de taille adaptée au courant nominal indiqué sur la plaque signalétique du chauffage et à la longueur de liaison (selon la norme d'électricité américaine NEC). Tirez assez de fil dans le connecteur pour pouvoir réaliser les connexions.
3. Branchez le fil sur le bornier secteur situé à la base du chauffage (Voir Figures 4 et 5).

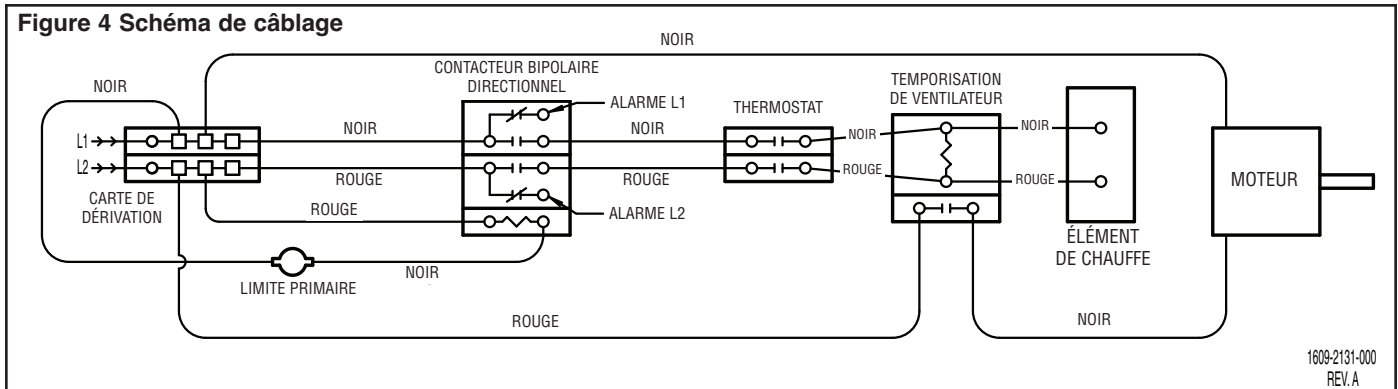
Remarque : Cette unité est livrée avec des terminaisons de connexion rapide en 1/4" male (Voir schéma de câblage, Figure 4) marquées comme Alarme 1 et Alarme 2, pour permettre de brancher s'il y a lieu cette unité sur une alarme extérieure à activer. Cette option permet de prévenir si le chauffage a surchauffé et a dépassé la limite faisant enclencher son interrupteur intégré. Chaque terminaison (Alarme 1 et Alarme 2) fournit du 120 V par rapport à la terre. Le branchement des deux connexions d'alarme fournira une tension secteur (208 ou 240 V) pour alimenter cette alarme.

4. Référez le compartiment de câblage et remplacez la vis de fermeture, puis alimentez le chauffage en rétablissant le secteur au niveau de l'interrupteur général.

⚠ ATTENTION ⚡

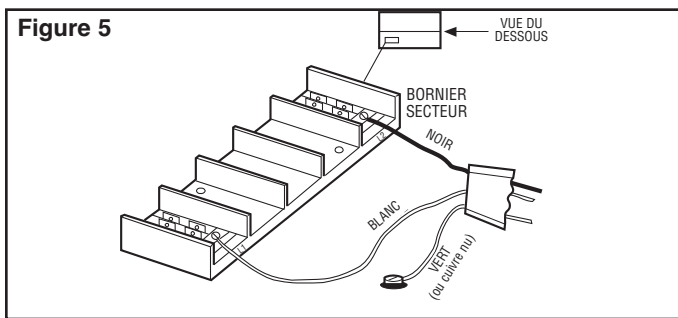
POUR ÉVITER D'ENDOMMAGER LE DISPOSITIF D'ALARME, IL DOIT POUVOIR SUPPORTER LES TENSIONS MENTIONNÉES PRÉCÉDEMMENT.

Figure 4 Schéma de câblage



1609-2131-000
REV. A

Figure 5



ENTRETIEN

Nettoyage de l'élément de chauffe

REMARQUE : Le chauffage est installé dans un lieu caché. L'unité doit être vérifiée au moins annuellement pour vérifier son bon fonctionnement, et pour nettoyer pales de ventilateur et éléments de chauffe.

⚠ AVERTISSEMENT ⚡

POUR ÉVITER UNE POSSIBLE ÉLECTROCUTION, TOUTE L'ALIMENTATION ÉLECTRIQUE DOIT ÊTRE COUPÉE EN AMONT AVANT TOUTE INTERVENTION D'INSPECTION OU DE NETTOYAGE.

Pour nettoyer l'élément de chauffe, ouvrez la trappe d'accès du dessous (Figure 3) et débranchez les deux fils de l'élément de la temporisation. Enlevez l'ensemble avant de coffret en ôtant 4 vis (Figure 6). Ôtez la grille de l'arrivée arrière (grille de moteur/ventilateur) en enlevant 4 vis. Enlevez aussi les 4 vis maintenant l'ensemble d'élément sur la plateforme de ventilateur et sortez cet ensemble d'élément. Éliminez poussière et peluche avec une brosse souple ou un aspirateur. Remontez l'ensemble d'élément, la grille, le coffret, et rebranchez l'élément sur la temporisation.

Nettoyage de ventilateur et de moteur

Enlevez la grille de protection de l'arrière du chauffage. Cela donne accès au ventilateur et au moteur. Essayez-les avec un chiffon doux ou une brosse. Le moteur de ventilateur n'a pas besoin de lubrification. Remettez ne place la grille de protection (Voir Figure 6).

⚠ ATTENTION ⚡

PRENEZ SOIN DE NE PAS ENDOMMAGER LE CÂBLAGE INTERNE DU CHAUFFAGE. ASSUREZ-VOUS QUE TOUTES LES CONNEXIONS RESTENT BIEN SERRÉES.

FONCTIONNEMENT

Réglage du thermostat

Tournez le bouton du thermostat en sens horaire vers la position de température de consigne élevée. Une fois la température voulue obtenue, ramenez le bouton du thermostat en sens antihoraire jusqu'à l'audition d'un déclic. Le chauffage va suivre des cycles de marche et arrêt pour maintenir la température du local autour du point de consigne.

REMARQUE : La première fois que vous actionnez l'unité, elle peut légèrement fumer. C'est dû aux restes d'agents de nettoyage utilisés sur l'élément durant la production du chauffage. C'est normal et cela n'indique pas un problème au niveau de l'unité. Ce comportement va cesser après quelques minutes de fonctionnement du chauffage.

Temporisation du ventilateur

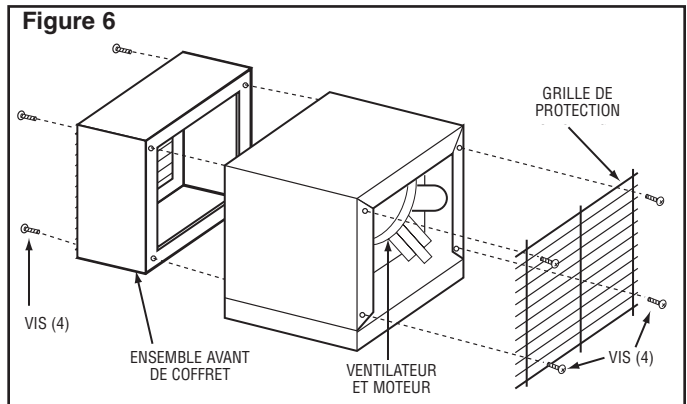
Le chauffage CFP25 comporte une temporisation pour sa ventilation. Quand le thermostat appelle du chauffage, l'action du ventilateur est retardée momentanément jusqu'à ce que l'élément de chauffe ait monté en température. Cela évite la circulation d'air encore froid. Quand le chauffage a élevé la température du local au point de consigne du thermostat, l'élément de chauffe est désactivé mais le ventilateur continue de tourner pendant un court moment. Cela évite que l'unité ne subisse la chaleur résiduelle, donne un niveau de confort meilleur, et prolonge la durée de service de l'élément.

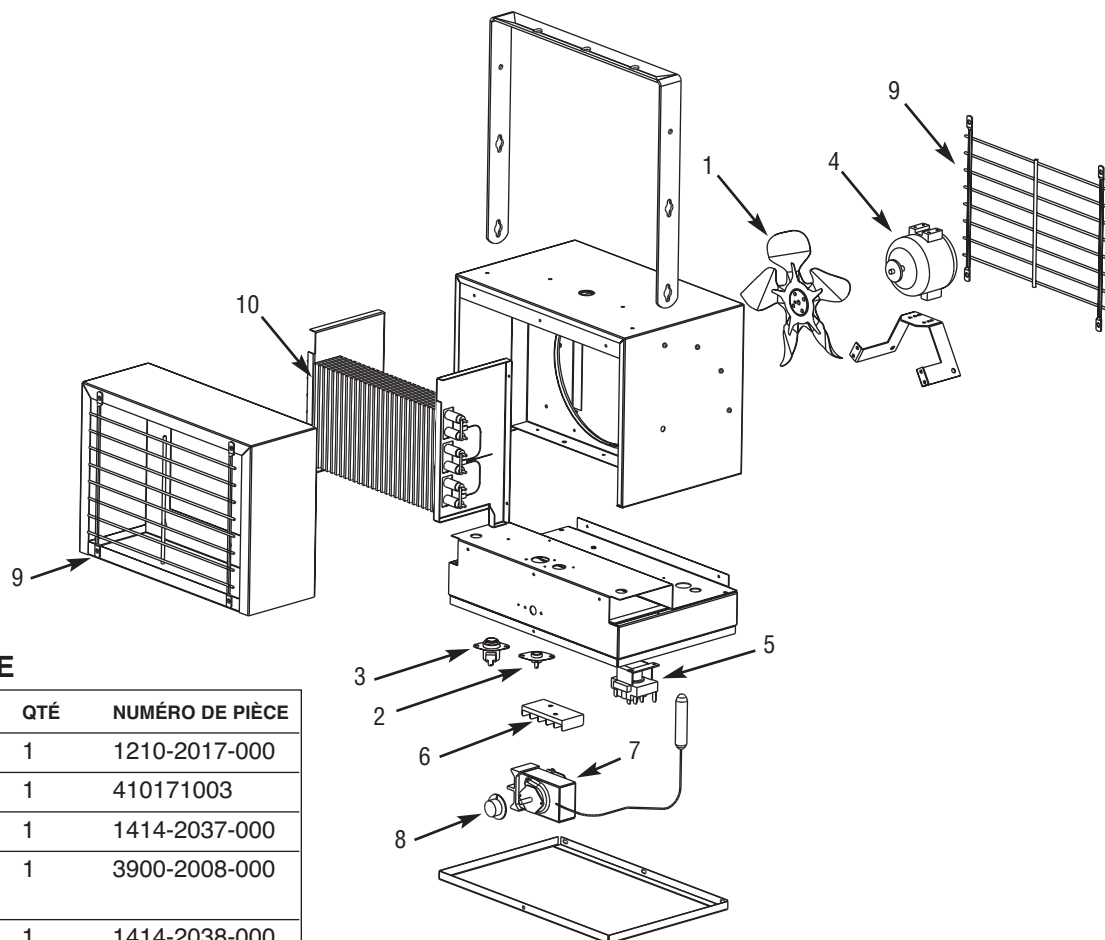
Coupe thermique

Le chauffage CFP25 est également équipé d'un interrupteur interne qui le coupe automatiquement en cas de surchauffe. Le chauffage se réamorçe quand sa température opérationnelle est redevenue normale. S'il y a surchauffe de l'unité et que cela enclenche la coupe thermique, il faut déterminer la cause de cette surchauffe avant de continuer d'utiliser le chauffage.

⚠ ATTENTION ⚡

PRENEZ SOIN DE NE PAS ENDOMMAGER LE CÂBLAGE INTERNE DU CHAUFFAGE. ASSUREZ-VOUS QUE TOUTES LES CONNEXIONS RESTENT BIEN SERRÉES ET QUE TOUT LE CÂBLAGE PASSE À L'ÉCART DES AILETTES DE L'ÉLÉMENT QUAND VOUS REMONTEZ L'UNITÉ. LAISSER DES FILS TOUCHER CES AILETTES DE L'ÉLÉMENT PEUT PROVOQUER UN DÉPART D'INCENDIE.





PIÈCES DE RECHANGE

RÉF.	DESCRIPTION	QTÉ	NUMÉRO DE PIÈCE
1	Pale de ventilateur	1	1210-2017-000
2	Temporisation	1	410171003
3	Limite haute	1	1414-2037-000
4	Moteur - à engrenage 6 W	1	3900-2008-000
5	Relais	1	1414-2038-000
6	Bornier	1	5823-0004-000
7	Thermostat	1	5813-2091-000
8	Bouton de thermostat	1	3301-2053-000
9	Grille de protection	2	312056-000
10	Élément de chauffe	-	302006807

GARANTIE LIMITÉE

Tous les produits fabriqués par Marley Engineered Products sont garantis contre les défauts de matériaux et de main d'œuvre pendant un an à compter de la date d'installation, sauf pour les éléments de chauffe qui sont garantis contre les défauts de matériaux et de main d'œuvre pendant cinq ans à compter de la date d'installation. Cette garantie ne s'applique pas à des dommages suite à accident, abus ou altération, ni au cas où le secteur d'alimentation fait plus de 5% au-delà de la tension nominale, ni si l'équipement a été mal installé, mal câblé ou mal entretenu en violation des instructions d'installation données. Toutes les réclamations au titre de la garantie doivent être accompagnées de la preuve de la date d'installation.

Le client prendra en charge tous les frais relatifs au démontage et remontage des produits, y compris les temps de main d'œuvre, et des coûts d'acheminement pour renvoyer les produits défectueux au centre de réparation de Marley Engineered Products. En tenant compte des restrictions énoncées de cette garantie, les unités en panne doivent être renvoyées au centre de service agréé Marley le plus proche, ou centre de Marley Engineered Products, et nous les réparons ou les remplaçons, à notre choix, sans frais pour vous, avec les frais d'expédition en retour payés par Marley. Il est entendu que cette réparation ou ce remplacement constituera la seule compensation fournie par Marley Engineered Products.

CETTE GARANTIE DÉCRITE TIENT LIEU DE TOUTES AUTRES GARANTIES EXPLICITES OU IMPLICITES. TOUTES LES GARANTIES IMPLICITES DE VALEUR MARCHANDE ET D'ADÉQUATION À UN BUT SPÉCIFIQUE QUI EXCÉDERAIENT LA DITE GARANTIE SONT ICI DÉCLINÉES ET EXCLUES DE CET AGRÉMENT. MARLEY ENGINEERED PRODUCTS NE PEUT PAS ÊTRE TENU POUR RESPONSABLE DES DOMMAGES CONSÉCUTIFS SURVENANT DU FAIT DE CE PRODUIT, QU'ILS SOIENT FONDÉS SUR NÉGLIGENCE, TORT, RESPONSABILITÉ STRICTE OU CONTRACTUELLE.

Certaines provinces ne permettent pas l'exclusion ou la limitation pour les dommages annexes ou consécutifs, de ce fait l'exclusion ou limitation plus haut peut n'est pas applicable pour vous. Cette garantie vous donne des droits légaux spécifiques, et vous pourriez avoir d'autres droits qui varient d'une province à l'autre.

Pour obtenir l'adresse du centre de réparation agréé le plus proche de chez vous, contacter Marley Engineered Products à Bennettsville, SC, au 1-800-642-4328. Les marchandises qui nous sont retournées doivent être accompagnées d'une autorisation de retour et d'une étiquette d'identification de réparation, à obtenir de Marley Engineered Products. En formulant cette demande de renvoi, fournir tous les numéros de référence inscrits sur l'appareillage.

COMMENT OBTENIR DU SERVICE ET DES PIÈCES DANS LE CADRE DE LA GARANTIE ET DES INFORMATIONS GÉNÉRALES SUR LES PRODUITS

- | | |
|--------------------------------------------|--------------------------------------------------------|
| 1. Service et pièces sous garantie | 1-800-642-4328 |
| 2. Pièces détachées achetées | 1-800-654-3545 |
| 3. Informations générales sur les produits | www.marlymep.com |

Remarque - Pour obtenir le service sous garantie vous devez toujours avoir préparé :

- Référence de modèle du produit
- Date de fabrication
- Numéro ou description de pièce



Marley
Engineered Products

An **SPX** Company

470 Beauty Spot Rd. East
Bennettsville, SC 29512 USA