

# MUH35D

## Fan-Forced Unit Heater with Built-in Thermostat



### Installation, Operation & Maintenance Instructions

#### Specifications

Model No	Volts	Watts	Amps	Weight
MUH35D	240	5 kW High	21	22 lbs
		3.3 kW Low	14	
	208	3.7 kW High	18	
		2.5 kW Low	12	

## IMPORTANT INSTRUCTIONS

### ⚠ WARNING ⚠

WHEN USING ELECTRIC APPLIANCES, BASIC PRECAUTIONS SHOULD ALWAYS BE FOLLOWED TO REDUCE THE RISK OF FIRE, ELECTRIC SHOCK, AND INJURY TO PERSONS, INCLUDING THE FOLLOWING:

1. Read all instructions before installing or using this heater.
2. This heater is a commercial/industrial product not intended for use in a residential setting.
3. This heater is hot when in use. To avoid burns, do not let bare skin touch hot surfaces. Keep combustible materials, such as furniture, pillows, bedding, papers, clothes, etc. and curtains at least 3 feet (0.9 m) from the front of the heater.
4. Extreme caution is necessary when any heater is used by or near children or invalids and whenever the heater is left operating and unattended.
5. This heater has hot and arcing or sparking parts inside and is not intended for use in hazardous atmospheres where flammable vapors, gases, liquids or other combustible atmospheres as defined in the National Electrical Code are used or stored. Failure to comply can result in explosion or fire.
6. Do not operate any heater after it malfunctions. Disconnect power at service panel and have heater inspected by a reputable electrician before using.
7. Do not use outdoors.
8. To disconnect heater, turn controls to off, and turn off power to heater circuit at main disconnect panel.
9. Do not insert or allow foreign objects to enter any ventilation or exhaust opening as this may cause an electric shock, fire, or damage to the heater.
10. To prevent a possible fire, do not block air intake or exhaust in any manner.
11. Use this heater only as described in this manual. Any other use not recommended by the manufacturer may cause fire, electric shock, or injury to persons.
12. This heater is provided with a buzzer that will sound only if the heater has turned off as a result of overheating. If you hear the buzzer, immediately turn the heater off and inspect for any objects on or adjacent to the heater that may have blocked the airflow or otherwise caused high temperatures to have occurred. **DO NOT OPERATE THE HEATER WITH THE BUZZER SOUNDING.**
13. This heater is not intended for use in special environments. Do not use in damp or wet locations such as marine or greenhouse or in areas where corrosive or chemical agents are present.
14. When installing, see INSTALLATION INSTRUCTIONS for additional warnings and precautions.
15. For safe and efficient operation, and to extend the life of your heater, keep your heater clean - See MAINTENANCE INSTRUCTIONS.

**SAVE THESE INSTRUCTIONS**

# INSTALLATION INSTRUCTIONS

## ⚠ WARNING ⚠

To prevent a possible fire, injury to persons or damage to the heater, adhere to the following:

1. Disconnect all power coming to heater at main service panel before wiring or servicing.
2. All wiring procedures and connections must be in accordance with the National and Local Codes having jurisdiction and the heater must be grounded.
3. Verify the power supply voltage coming to heater matches the ratings as shown on the heater nameplate.

**CAUTION: ENERGIZING HEATER AT A VOLTAGE GREATER THAN THE VOLTAGE PRINTED ON THE NAMEPLATE WILL DAMAGE THE HEATER AND VOID THE WARRANTY AND COULD CAUSE A FIRE.**

4. **CAUTION** - High temperature, risk of fire, keep electrical cords, drapery, furnishings, and other combustibles at least 3 feet (0.9 m) from front of heater. Do not install heater behind doors, below towel racks, or in an area where it is subject to being blocked by furniture, curtains or storage materials. Hot air from the heater may damage certain fabrics and plastics.
5. To reduce the risk of fire, do not store or use gasoline or other flammable vapors and liquids in the vicinity of the heater.
6. When heater is to be wall or ceiling mounted, the anchoring provisions must be of sufficient strength to support the total weight of the heater plus the weight of the mounting provisions. Failure to properly secure the supporting members of the building structure could allow the heater to fall.
7. The following minimum clearances must be maintained:
  - Bottom of heater to floor - minimum 6' (1829 mm) - maximum height 15' (4572 mm)
  - Sides of heater to adjacent wall - minimum 8" (203 mm)
  - When wall mounted, top of heater to ceiling 8" (203 mm)
  - When ceiling mounted, back of heater to wall 8" (203 mm)
  - Clearance in front of heater - 5' (1524 mm)
8. Do not use this heater for dry out as the paint, plaster, sawdust and drywall sanding dust will permanently damage the heater and must be kept out of the heater.

## General

### Location of Heater

This heater has user controls. It may be desirable to reach these controls after installation.

The direction of air flow should not be restricted by columns, machinery, etc., and the air flow should wipe exposed walls rather than blowing directly at them. When more than one heater is used in an area, the heaters should be arranged so that the air discharge of each heater supports the air flow of the others to provide best circulation of warm air.

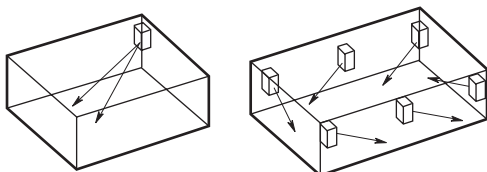


Figure 1

## Ceiling Mount

This heater may be mounted to any ceiling that will support the weight of the heater. See Figure 2.

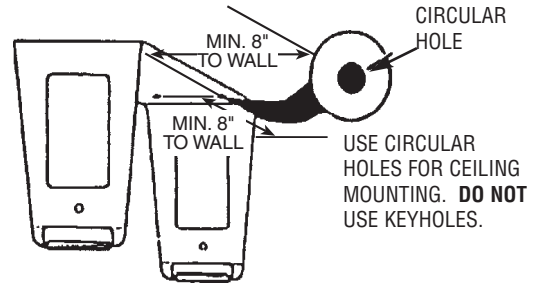


Figure 2

1. Remove the mounting stand from the heater, then remove four rubber grommets from stand.
2. Secure stand to structural members of ceiling with four 1/4" diameter bolts (not provided). In wood joist use 1-1/2" long lag bolts. In steel beams use machine bolts secured with nuts and lockwashers. Never use bolts smaller than 1/4" diameter.
3. Replace the heater in the stand and tighten knobs to lock in place. Two large rubber washers go between heater and stand, one on either side.

## ⚠ WARNING ⚠

TO PREVENT HEATER FROM POSSIBLY FALLING, DO NOT USE KEYHOLE SLOTS FOR CEILING MOUNT APPLICATION.

## Wall Mount

This heater may be mounted on any wall that will support the weight of the heater. See Figure 3.

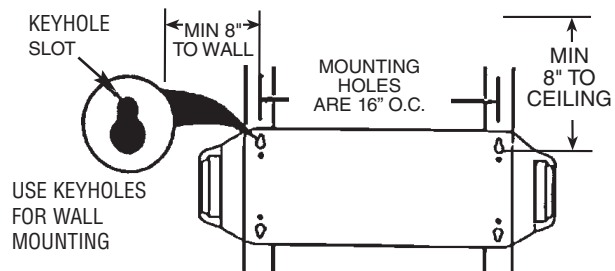


Figure 3

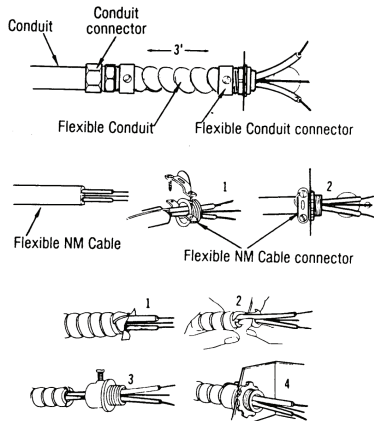
1. Remove the mounting stand from the heater, then remove four rubber grommets from stand.
2. Secure stand to structural members of wall with four 1/4" dia. X 1-1/2" long lag bolts (not provided). In masonry walls use metal expansion shields or toggle bolts. Never use bolts smaller than 1/4" diameter.
3. Replace the heater in the stand and tighten knobs to lock in place. Two large rubber washers go between heater and stand, one on either side.

## Wiring

### Hardware Needed (See Figure 4)

You also will need the following hardware which you can purchase from your local hardware store or electrical supply house:

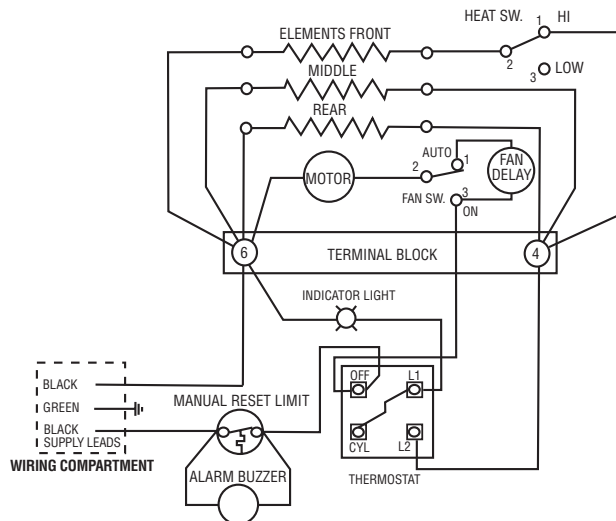
- Enough 10 gauge copper wire to run power from the service box to the heating unit. Copper wire must have a minimum temperature rating of 60 degrees C. **DO NOT USE ALUMINUM WIRE WITH THIS UNIT.**
- Proper wire connectors for your application. (See illustration that follows.)



**Figure 4 - Connectors, cable, and hardware used to wire the MUH35D**

For certain applications, conduit may be required. Check local electrical codes. Also, if you run the wiring in conduit and wish to be able to turn the heater, be sure to purchase enough flexible conduit to allow the heater to be turned.

1. Loosen the two screws that secure the wiring compartment cover to the upper right hand area of the back of the heater and remove the cover.
2. Attach the cable connector to the cover as shown above and slide the 10 gauge wire through the cable connector. Pull enough of the wire through the connector for making the connections.
3. Connect the field wiring to the heater wiring as shown in Figure 5 - Wiring Diagram.
4. After connecting the wiring, replace the wiring compartment cover making sure none of the wires are pinched between the cover and the heater. Tighten the screws securely.



**Figure 5 - Wiring Diagram**

# OPERATING INSTRUCTIONS

1. Heater must be properly installed before operation.
2. To operate the heater, first select either high or low position on the heat selector switch, then turn the thermostat knob as far as it will go in the clockwise direction. The indicator light will come on and remain on as long as the heater is in the operating mode.
3. When the room temperature reaches the desired level, slowly turn the thermostat knob counterclockwise until the thermostat clicks. The indicator light will remain on. The heater will automatically cycle OFF and ON as needed to maintain desired temperature.
4. To shut heater off, turn thermostat knob as far as it will go in the counterclockwise direction until the indicator light is off.
5. The fan selector switch allows continuous or cycling fan operation by selecting either the "ON" or "Auto" position, respectively.
6. It may be necessary to readjust thermostat a time or so until exact comfort level is attained. Rotation in the clockwise direction will increase the amount of time the heater will produce heat. Rotation in the counterclockwise direction will reduce the amount of time the heater is on.

**Automatic Fan Delay:** This heater incorporates an automatic fan delay. When the thermostat calls for heat, fan action is delayed momentarily until the heating element is warm. When the thermostat is satisfied, the fan continues to operate until the heating element is cool. This action prevents circulation of cold air, and avoids exposing unit to residual heat, thus providing higher comfort level and prolonged element life.

**NOTE:** For best results, the heater should be left "ON" constantly during the heating season as the thermostat, when properly set, will maintain the desired temperature. In the full counterclockwise position the heater will remain off until the room temperature drops well below freezing.

### How To Reset Over -Temperature Safety Control:

#### **⚠ WARNING ⚠**

**DO NOT TAMPER WITH OR BYPASS ANY SAFETY LIMITS INSIDE HEATER.**

Your heater is equipped with a manual reset safety thermal limit control that will automatically turn the heater off and sound a buzzer to prevent a fire if the heater overheats. This control is located on front of the heater just above the thermostat and is marked "PUSH TO RESET". To reset, allow the heater to cool then simply push the red button in until it snaps. The heater should immediately return to normal operation.

#### **CAUTION ⚠**

**CAUTION - DO NOT CONTINUE TO ATTEMPT TO USE THE HEATER IF THE SAFETY CONTROL REPEATEDLY OPERATES AFTER BEING RESET. TO DO SO COULD PERMANENTLY DAMAGE THE HEATER OR CREATE A FIRE OR SAFETY HAZARD.**

It is important to keep this heater clean. Your heater will give you years of service and comfort with only minimum care. To assure efficient operation follow the simple instructions below.

**⚠ WARNING ⚠**

ALL SERVICING BEYOND SIMPLE CLEANING THAT REQUIRES DISASSEMBLY SHOULD BE PERFORMED BY QUALIFIED SERVICE PERSONNEL.

**⚠ WARNING ⚠**

TO REDUCE RISK OF FIRE AND ELECTRIC SHOCK OR INJURY, DISCONNECT ALL POWER COMING TO HEATER AT MAIN SERVICE PANEL AND CHECK THAT THE ELEMENT IS COOL BEFORE SERVICING OR PERFORMING MAINTENANCE.

**User Cleaning Instructions:**

1. After the heater has cooled, a vacuum cleaner with brush attachment may be used to remove dust and lint from exterior surfaces of the heater including the grille openings.
2. With a damp cloth, wipe dust and lint from grille and exterior surfaces.
3. Return power to heater and check to make sure it is operating properly.

# MAINTENANCE INSTRUCTIONS

It is important to keep this heater clean. Your heater will give you years of service and comfort with only minimum care. To assure efficient operation follow the simple instructions below.

**⚠ WARNING ⚠**

ALL SERVICING BEYOND SIMPLE CLEANING THAT REQUIRES DISASSEMBLY SHOULD BE PERFORMED BY QUALIFIED SERVICE PERSONNEL.

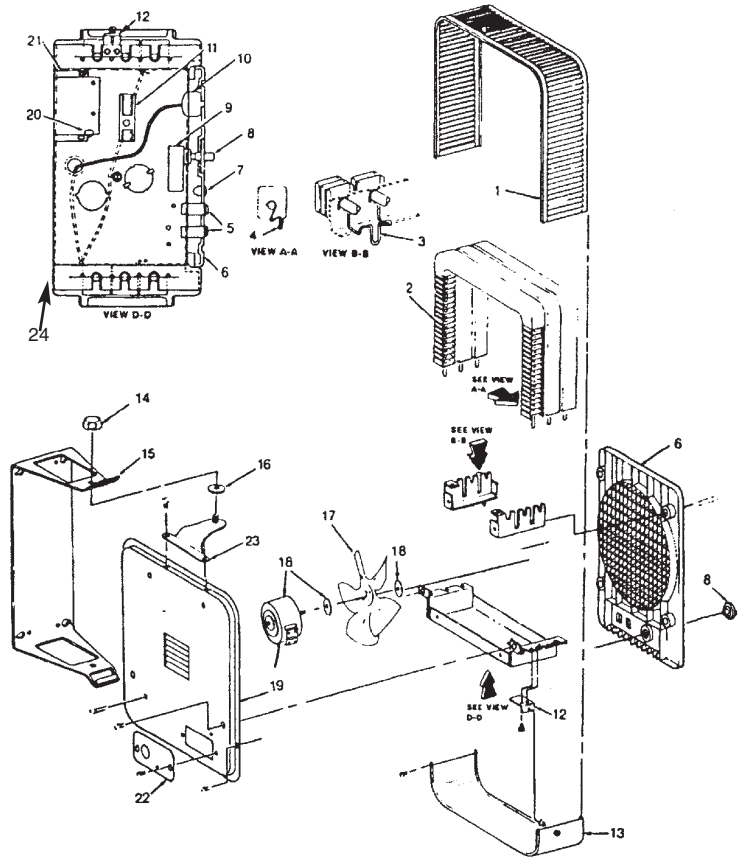
**⚠ WARNING ⚠**

TO REDUCE RISK OF FIRE AND ELECTRIC SHOCK OR INJURY, DISCONNECT ALL POWER COMING TO HEATER AT MAIN SERVICE PANEL AND CHECK THAT THE ELEMENT IS COOL BEFORE SERVICING OR PERFORMING MAINTENANCE.

**User Cleaning Instructions:**

1. After the heater has cooled, a vacuum cleaner with brush attachment may be used to remove dust and lint from exterior surfaces of the heater including the grille openings.
2. With a damp cloth, wipe dust and lint from grille and exterior surfaces.
3. Return power to heater and check to make sure it is operating properly.

Replacement Parts		
REF. NO	DESCRIPTION	PART NUMBER
1.	Guard, Element	2504-0011-001
2.	Element Assembly	1802-0087-032
3.	Spring, Element	5208-0073-000
4.	Spring, Capillary	5208-0072-000
5.	Switch, Rocker	S99814893A000
6.	Grille	1402-2154-001
7.	Indicator Light	3510-2007-000
8.	Knob, Thermostat	3301-2012-001
9.	Thermostat	5813-2018-000
10.	Limit, Manual Reset	4520-11004-000
11.	Block Terminal	5823-0003-001
12.	Bracket, Cover Screw	1215-0291-000
13.	Cover, Control Comp.	1402-0336-000
14.	Knob, Stand	3301-2018-000
15.	Stand, Portable	5210-2000-004
16.	Washer, Rubber	W10814895A000
17.	Blade, Fan	1210-2000-000
18.	Motor	3900-2002-006
19.	Case, Back	1425-2005-002
20.	Bushing, Strain Relief	25221-70011
21.	Wiring Comp. Divider	1614-2000-000
22.	Wiring Cover Plate	4503-2010-002
23.	Bracket, Mounting	1215-2001-002
24.	Fan Delay	4520-0010-000



### LIMITED WARRANTY

All products manufactured by Marley Engineered Products are warranted against defects in workmanship and materials for one year from date of installation, except heating elements which are warranted against defects in workmanship and materials for five years from date of installation. This warranty does not apply to damage from accident, misuse, or alteration; nor where the connected voltage is more than 5% above the nameplate voltage; nor to equipment improperly installed or wired or maintained in violation of the product's installation instructions. All claims for warranty work must be accompanied by proof of the date of installation.

The customer shall be responsible for all costs incurred in the removal or reinstallation of products, including labor costs, and shipping costs incurred to return products to Marley Engineered Products Service Center. Within the limitations of this warranty, inoperative units should be returned to the nearest Marley authorized service center or the Marley Engineered Products Service Center, and we will repair or replace, at our option, at no charge to you with return freight paid by Marley. It is agreed that such repair or replacement is the exclusive remedy available from Marley Engineered Products.

THE ABOVE WARRANTIES ARE IN LIEU OF ALL OTHER WARRANTIES EXPRESSED OR IMPLIED, AND ALL IMPLIED WARRANTIES OF MERCHANTABILITY AND FITNESS FOR A PARTICULAR PURPOSE WHICH EXCEED THE AFORESAID EXPRESSED WARRANTIES ARE HEREBY DISCLAIMED AND EXCLUDED FROM THIS AGREEMENT. MARLEY ENGINEERED PRODUCTS SHALL NOT BE LIABLE FOR CONSEQUENTIAL DAMAGES ARISING WITH RESPECT TO THE PRODUCT, WHETHER BASED UPON NEGLIGENCE, TORT, STRICT LIABILITY, OR CONTRACT.

Some states do not allow the exclusion or limitation of incidental or consequential damages, so the above exclusion or limitation may not apply to you. This warranty gives you specific legal rights, and you may also have other rights which vary from state to state.

For the address of your nearest authorized service center, contact Marley Engineered Products in Bennettsville, SC, at 1-800-642-4328. Merchandise returned to the factory must be accompanied by a return authorization and service identification tag, both available from Marley Engineered Products. When requesting return authorization, include all catalog numbers shown on the products.

#### HOW TO OBTAIN WARRANTY SERVICE AND WARRANTY PARTS PLUS GENERAL INFORMATION

- |                                |   |
|--------------------------------|---|
| 1. Warranty Service or Parts   | <b>1-800-642-4328</b>   |
| 2. Purchase Replacement Parts  | <b>1-800-654-3545</b>   |
| 3. General Product Information | <b><a href="http://www.marlymep.com">www.marlymep.com</a></b> |

**Note:** When obtaining service always have the following:

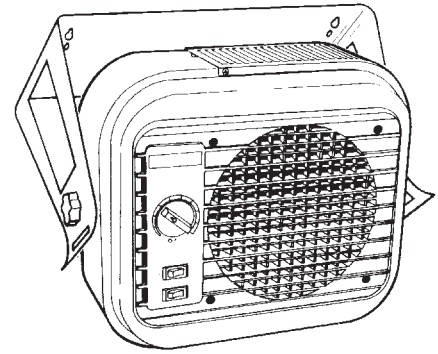
1. Model number of the product
2. Date of manufacture
3. Part number or description



**Marley**  
Engineered Products

470 Beauty Spot Rd. East  
Bennettsville, SC 29512 USA





## MUH35D

Unidad calefactora  
con ventilador y termostato  
incorporado

# Instrucciones de instalación, operación y mantenimiento

### Especificaciones

Modelo N°	Tensión (volts)	Potencia (watts)	Corriente (A)	Peso
MUH35D	240	5 kW (alta)	21	22 lbs (10 kg)
		3,3 kW (baja)	14	
	208	3,7 kW (alta)	18	
		2,5 kW (baja)	12	

## INSTRUCCIONES IMPORTANTES



### ADVERTENCIA



AL UTILIZAR ARTEFACTOS ELÉCTRICOS, PARA REDUCIR EL RIESGO DE INCENDIO, CHOQUE ELÉCTRICO Y LESIONES PERSONALES DEBEN OBSERVARSE SIEMPRE ALGUNAS PRECAUCIONES BÁSICAS, COMO LAS SIGUIENTES:

1. Lea todas las instrucciones antes de instalar o utilizar este calefactor.
2. Este calefactor es un producto comercial/industrial, que no está destinado a su empleo en un entorno residencial.
3. Cuando está en funcionamiento, el calefactor está muy caliente. Para evitar quemaduras, no deje que su piel haga contacto directo con las superficies calientes. Mantenga los materiales combustibles como muebles, almohadas, ropas de cama, papeles, ropas, cortinas, etc. a 3 pies (0.9 m) como mínimo del frente del calefactor.
4. Se necesita extremo cuidado al utilizar cualquier calefactor junto a o cerca de niños o inválidos, y en todo momento en que el calefactor quede funcionando y desatendido.
5. Este calefactor tiene en su interior piezas calientes y piezas en las que se producen arcos o chispas, y no está destinado a su empleo en atmósferas peligrosas en las que se usen o almacenen vapores, gases o líquidos inflamables u otras atmósferas combustibles como las define el Código Eléctrico Nacional de los EE. UU. Si esto no se cumple, puede producirse una explosión o incendio.
6. No opere ningún calefactor después de que haya tenido una falla de funcionamiento. Desconecte la alimentación eléctrica en el tablero de servicio y haga revisar el calefactor por un electricista calificado antes de usarlo.
7. No use el equipo en exteriores.
8. Para desconectar el calefactor, lleve los controles a la posición Apagado (OFF) y desconecte la alimentación del circuito del calefactor en el tablero de desconexión principal.
9. No inserte ni permita que entren objetos extraños en ninguna abertura de ventilación o de descarga, porque esto puede ser causa de choque eléctrico, incendio o daño al calefactor.
10. Para evitar un posible incendio, no bloquee de ningún modo la entrada ni la descarga de aire.
11. Utilice este calefactor únicamente de la manera descrita en este manual. Cualquier otra forma de uso no recomendada por el fabricante puede ser causa de incendio, choque eléctrico o daños personales.
12. Este calefactor cuenta con un zumbador que suena únicamente si el calefactor se ha apagado como resultado del sobrecalentamiento. Si usted oye el zumbador, apague de inmediato el calefactor y haga una inspección para ver si hay objetos sobre o cerca del calefactor que pudieran haber bloqueado la circulación de aire o causado de alguna otra forma la presencia de altas temperaturas. **NO OPERE EL CALEFACTOR SI SUENA EL ZUMBADOR.**
13. Este calefactor no es para utilizar en entornos especiales. No lo use en lugares húmedos o mojados como zonas marítimas o invernaderos, ni en áreas en las que estén presentes agentes químicos o corrosivos.
14. Al realizar la instalación, vea las advertencias y precauciones adicionales en las INSTRUCCIONES DE INSTALACIÓN.
15. Para garantizar una operación segura y eficiente, y para extender la vida útil de su calefactor, manténgalo limpio. Vea las INSTRUCCIONES DE MANTENIMIENTO.

**GUARDE ESTAS INSTRUCCIONES**

# INSTRUCCIONES DE INSTALACIÓN

## ⚠ ADVERTENCIA ⚠

Para evitar un posible incendio, lesiones personales o daños al calefactor, observe lo siguiente:

1. Antes de proceder a tareas de conexión o de reparación del calefactor, desconecte toda la alimentación eléctrica que llega al mismo desde el tablero principal de servicio.
2. Todos los procedimientos de cableado y conexiones deben hacerse de conformidad con los códigos nacionales y locales que tengan jurisdicción, y el calefactor debe estar conectado a tierra.
3. Verifique que la tensión de alimentación provista al calefactor coincida con la tensión nominal indicada en la placa de características del mismo.

**ATENCIÓN:** SI SE ENERGIZA UN CALEFACTOR CON UNA TENSIÓN MAYOR QUE EL VALOR DE TENSIÓN IMPRESO EN LA PLACA DE CARACTERÍSTICAS, SE DAÑARÁ EL CALEFACTOR, SE ANULARÁ LA GARANTÍA, Y PODRÍA PRODUCIRSE UN INCENDIO.

4. **ATENCIÓN:** alta temperatura, riesgo de incendio. Mantenga los cables eléctricos, cortinados, muebles y otros elementos combustibles a 3 pies (0.9 m) como mínimo del frente del calefactor. No instale el calefactor detrás de puertas, debajo de toalleros, ni en un área en la que esté sujeto a bloqueo por muebles, cortinas o materiales almacenados. El aire caliente que sale del calefactor puede dañar algunas telas y plásticos.
5. Para reducir el riesgo de incendio, no almacene ni use gasolina u otros vapores y líquidos inflamables en las cercanías del calefactor.
6. Cuando el calefactor va a montarse en la pared o en el cielorraso, los anclajes deben tener la resistencia suficiente para soportar el peso total del calefactor más el peso de los elementos de montaje. Si no se sujetan correctamente los elementos de soporte a la estructura del edificio, el calefactor podría caerse.
7. Deben mantenerse las distancias mínimas que se indican a continuación:

Del fondo del calefactor al piso: mín. 6' (1829 mm) - altura máxima 15" (4572 mm)

De los costados del calefactor a la pared adyacente: mín. 8" (203 mm).

Montado en una pared, de la cara superior del calefactor al cielorraso 8" (203 mm)

Montado en el cielorraso, de la parte posterior del calefactor a la pared 8" (203 mm)

Espacio libre al frente del calefactor: 5' (1524 mm)

8. No utilice este calefactor para fines de secado, ya que la pintura, el yeso, el aserrín y el polvo proveniente del lijado de paredes secas provocarán daños permanentes al calefactor, por lo que no deben entrar al mismo.

## Información general

### Ubicación del calefactor

Este calefactor tiene controles para el usuario. Puede ser deseable llegar a estos controles después de la instalación.

No debe restringirse la circulación de aire por columnas, maquinaria, etc.; la misma debe deslizarse por las paredes expuestas en lugar de impactar directamente contra ellas. Cuando en un área se utilice más de un calefactor, deben disponerse de modo que la descarga de aire de cada calefactor refuerce el caudal de aire de los demás, a fin de proporcionar la mejor circulación posible de aire caliente.

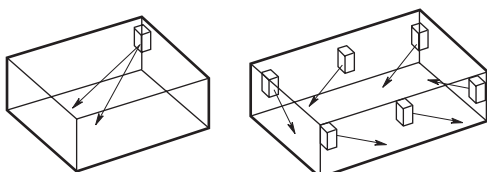


Figura 1

## Montaje en el cielorraso

Ce radiateur peut se monter sur n'importe quel plafond qui supportera son poids. Voyez la Figure 2.

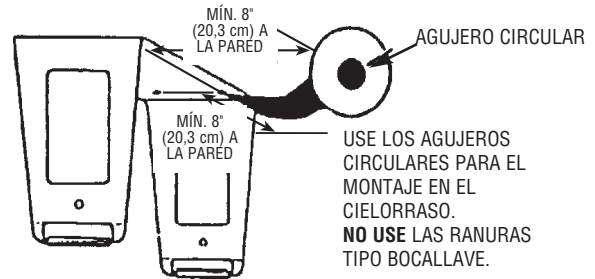


Figura 2

1. Retire del calefactor la base de montaje, y luego quite de la base las cuatro arandelas de caucho.
2. Sujete la base a los elementos estructurales del cielorraso con cuatro pernos de 1/4" (6.4 mm) de diámetro (no provistos). En viguetas de madera use tirafondos de 1-1/2" (38.1 mm) de longitud. En vigas de acero use pernos comunes (de máquina) asegurados mediante tuercas y arandelas de presión. Nunca use pernos de diámetro menor de 1/4" (6.4 mm).
3. Vuelva a colocar el calefactor en su base y apriete las perillas para fijarlo en su posición. Entre el calefactor y su base se colocan dos arandelas grandes de caucho, una en cada lado.

## ⚠ ADVERTENCIA ⚠

PARA IMPEDIR POSIBLES CAÍDAS DEL CALEFACTOR, NO USE LAS RANURAS TIPO BOCALLAVE EN APLICACIONES DE MONTAJE EN EL CIELORRASO.

## Montaje en la pared

Este calefactor puede montarse en cualquier pared que pueda soportar su peso. Vea la Figura 3.

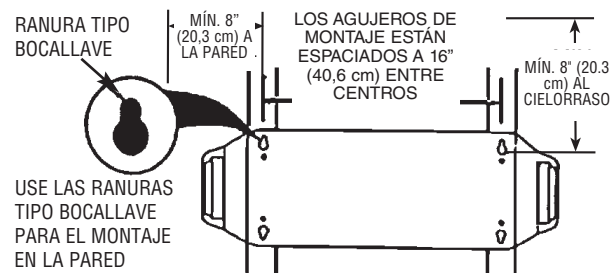


Figura 3

1. Retire del calefactor la base de montaje, y luego quite de la base las cuatro arandelas de caucho.
2. Sujete la base a los elementos estructurales de la pared con cuatro tirafondos de 1/4" (6,4 mm) de diámetro x 1-1/2" (38,1 mm) de longitud (no provistos). En paredes de mampostería utilice escudos ensanchadores metálicos o pernos acodillados. Nunca use pernos de diámetro menor de 1/4" (6,4 mm).
3. Vuelva a colocar el calefactor en su base y apriete las perillas para fijarlo en su posición. Entre el calefactor y su base se colocan dos arandelas grandes de caucho, una en cada lado.



## Conexión

### Accesorios de montaje necesarios (vea la Figura 4)

Usted necesitará además los siguientes accesorios de montaje, que puede comprar en su ferretería o tienda de suministros eléctricos local:

- Cable de cobre calibre 10 en cantidad suficiente para llevar la alimentación desde la caja de servicio hasta la unidad calefactora. El cable de cobre debe tener una especificación de temperatura de 60 grados C como mínimo. **NO USE CABLE DE ALUMINIO CON ESTA UNIDAD.**
- Conectores de cable apropiados para su aplicación. (Vea la ilustración que sigue).

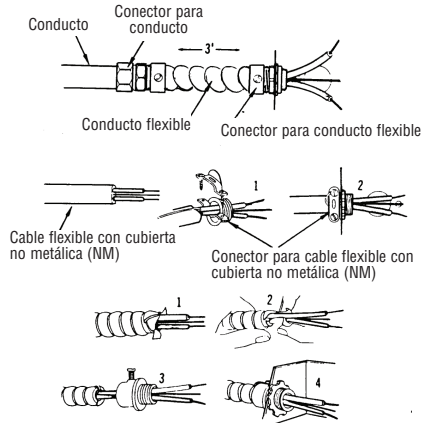


Figura 4 – Conectores, cable y accesorios de montaje utilizados para el cableado del MUH35D

Para algunas aplicaciones puede que sea necesario un conducto. Verifique los códigos eléctricos locales. Además, si usted tiende el cableado por un conducto y desea poder girar el calefactor, asegúrese de comprar una cantidad suficiente de conducto flexible como para permitir el giro del calefactor.

1. Afloje los dos tornillos que fijan la cubierta del compartimiento de cables al área superior derecha de la parte posterior del calefactor, y quite la cubierta.
2. Instale el conector de cable en la cubierta como se muestra arriba, y deslice el cable calibre 10 a través del conector de cable. Para hacer las conexiones, extraiga a través del conector una cantidad suficiente de cable.
3. Conecte el cableado del sitio a los cables del calefactor, como se muestra en la Figura 5 - Diagrama de conexión.
4. Después de conectar el cableado, vuelva a colocar la cubierta del compartimiento de cables; asegúrese de que no quede apretado ningún cable entre la cubierta y el calefactor. Apriete los tornillos firmemente.

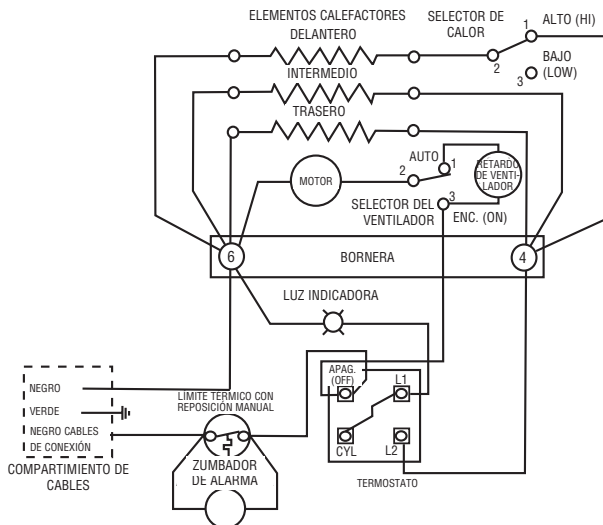


Figura 5 - Diagrama de conexión

# INSTRUCCIONES DE OPERACIÓN

1. El calefactor debe instalarse correctamente antes de ponerlo en funcionamiento.
2. Para hacer funcionar el calefactor, seleccione primero la posición de calor alto o bajo en el selector de calor, y luego lleve la perilla del termostato hasta su posición extrema en sentido horario. La luz indicadora se encenderá y permanecerá encendida mientras el calefactor esté en el modo de operación.
3. Cuando la temperatura de la habitación alcance el nivel deseado, haga girar la perilla del termostato lentamente en sentido antihorario hasta que el termostato haga un 'clic'. La luz indicadora permanecerá encendida. El calefactor hará ciclos de encendido y apagado automáticos según sea necesario para mantener la temperatura deseada.
4. Para apagar el calefactor, haga girar la perilla del termostato hasta su posición extrema en sentido antihorario hasta que se apague la luz indicadora.
5. El selector del ventilador permite el funcionamiento continuo o cíclico del ventilador, seleccionando la posición 'Encendido' ('ON') o 'Auto', respectivamente.
6. Puede que sea necesario volver a ajustar el termostato una o más veces hasta que se alcance el nivel de confort exacto. La rotación en sentido horario aumentará el tiempo durante el cual el calefactor producirá calor. La rotación en sentido antihorario reducirá el tiempo durante el cual el calefactor está encendido.

**Retardo automático del ventilador:** este calefactor incorpora un retardo automático del ventilador. Cuando el termostato demanda calor, la acción del ventilador se demora momentáneamente hasta que el elemento calefactor esté caliente. Cuando se satisface la demanda del termostato, el ventilador continúa funcionando hasta que el elemento calefactor esté frío. Esta acción impide la circulación de aire frío y evita la exposición de la unidad al calor residual, con lo que proporciona mayor nivel de confort y una vida útil prolongada de los elementos calefactores.

**NOTA:** para obtener los mejores resultados, el calefactor debe permanecer constantemente ENCENDIDO ('ON') durante la temporada en que se necesite calefacción, ya que el termostato, siempre que esté correctamente ajustado, mantendrá la temperatura deseada. En la posición extrema en sentido antihorario, el calefactor permanecerá Apagado ('OFF') hasta que la temperatura de la habitación disminuya bien por debajo del punto de congelación.

### Cómo efectuar la reposición del control de seguridad contra sobretensión:

#### ⚠ ADVERTENCIA ⚠

NO ALTERE NI PUENTE NINGÚN LÍMITE DE SEGURIDAD INTERNO DEL CALEFACTOR.

Su calefactor está equipado con un límite térmico de seguridad de reposición manual que lo apagará automáticamente para impedir su sobrecalentamiento, que podría provocar un incendio. La activación del límite hará sonar un zumbador. Este control está ubicado en el frente del calefactor, inmediatamente encima del termostato, y está marcado con la leyenda 'OPRIMA PARA REPONER' ('PUSH TO RESET'). Para efectuar la reposición espere a que el calefactor se enfríe, y luego oprima simplemente el botón rojo hasta que haga un chasquido. El calefactor debe volver inmediatamente a su funcionamiento normal.

#### PRECAUCIÓN ⚠

ATENCIÓN: SI EL CONTROL DE SEGURIDAD SE ACTIVA REPETIDAMENTE DESPUÉS DE LA REPOSICIÓN, NO VUELVA A INTENTAR USAR EL CALEFACTOR. SI LO HACE, EL CALEFACTOR PUEDE SUFRIR DAÑOS PERMANENTES, O PROVOCAR UN INCENDIO O RIESGO PARA LA SEGURIDAD.

Es importante mantener limpio este calefactor. Su calefactor le brindará

muchos años de servicio y confort con sólo un mínimo de cuidado. Para asegurar un funcionamiento eficiente, observe las instrucciones simples que se indican a continuación.

### ⚠ ADVERTENCIA ⚠

TODOSERVICIO, MÁS ALLÁ DE UNA SIMPLE LIMPIEZA, QUE REQUIERA UN DESMONTAJE DEBE SER REALIZADO POR PERSONAL DE SERVICIO CALIFICADO.

### ⚠ ADVERTENCIA ⚠

PARA REDUCIR EL RIESGO DE INCENDIO Y DE CHOQUE ELÉCTRICO O LESIONES, DESCONECTE TODA LA ALIMENTACIÓN ELÉCTRICA QUE LLEGA AL CALEFACTOR EN EL TABLERO PRINCIPAL DE SERVICIO Y VERIFIQUE QUE EL ELEMENTO CALEFACTOR ESTÉ FRÍO ANTES DE PRESTAR SERVICIO O DE REALIZAR EL MANTENIMIENTO.

#### Instrucciones de limpieza para el usuario:

1. Después de que el calefactor se haya enfriado, puede utilizarse una aspiradora con accesorio de cepillo para eliminar el polvo y la pelusa de las superficies exteriores del calefactor, incluidas las aberturas de la rejilla.
2. Con un paño húmedo, elimine el polvo y la pelusa de la rejilla y las superficies exteriores.
3. Vuelva a conectar la alimentación eléctrica al calefactor y asegúrese de que funcione correctamente.

# INSTRUCCIONES DE MANTENIMIENTO

Es importante mantener limpio este calefactor. Su calefactor le brindará muchos años de servicio y confort con sólo un mínimo de cuidado. Para asegurar un funcionamiento eficiente, observe las instrucciones simples que se indican a continuación.

### ⚠ ADVERTENCIA ⚠

TODOSERVICIO, MÁS ALLÁ DE UNA SIMPLE LIMPIEZA, QUE REQUIERA UN DESMONTAJE DEBE SER REALIZADO POR PERSONAL DE SERVICIO CALIFICADO.

### ⚠ ADVERTENCIA ⚠

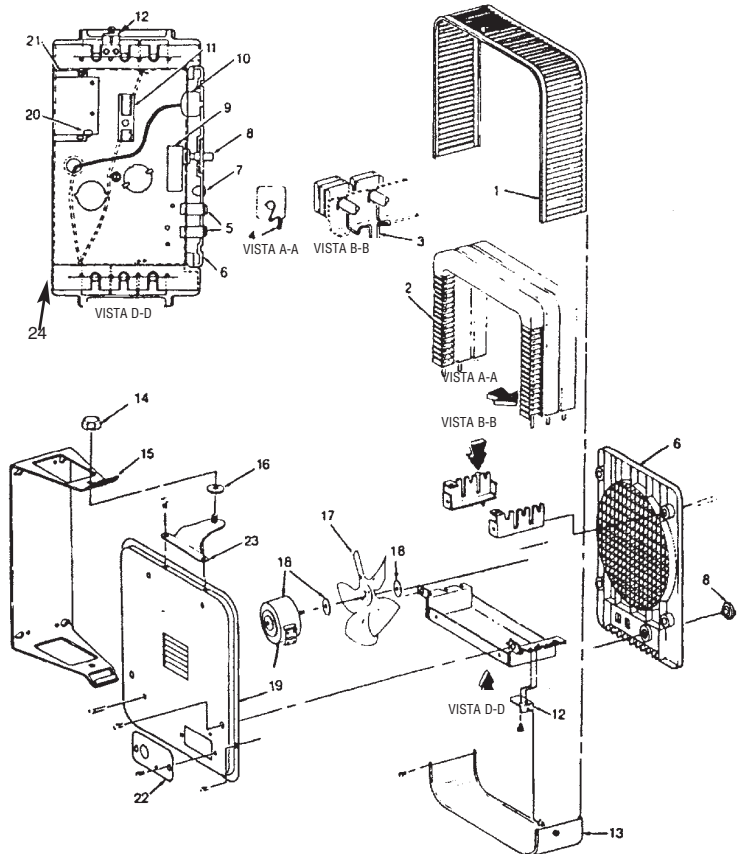
PARA REDUCIR EL RIESGO DE INCENDIO Y DE CHOQUE ELÉCTRICO O LESIONES, DESCONECTE TODA LA ALIMENTACIÓN ELÉCTRICA QUE LLEGA AL CALEFACTOR EN EL TABLERO PRINCIPAL DE SERVICIO Y VERIFIQUE QUE EL ELEMENTO CALEFACTOR ESTÉ FRÍO ANTES DE PRESTAR SERVICIO O DE REALIZAR EL MANTENIMIENTO.

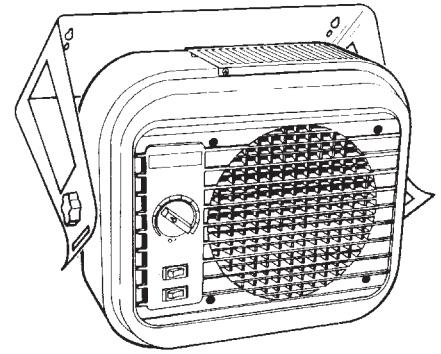
#### Instrucciones de limpieza para el usuario:

1. Después de que el calefactor se haya enfriado, puede utilizarse una aspiradora con accesorio de cepillo para eliminar el polvo y la pelusa de las superficies exteriores del calefactor, incluidas las aberturas de la rejilla.
2. Con un paño húmedo, elimine el polvo y la pelusa de la rejilla y las superficies exteriores.
3. Vuelva a conectar la alimentación eléctrica al calefactor y asegúrese de que funcione correctamente.

### Piezas de repuesto

Nº DE REF.	DESCRIPCIÓN	NÚMERO DE PARTE
1.	Protección de elemento calefactor	2504-0011-001
2.	Conjunto de elemento calefactor	1802-0087-032
3.	Resorte del elemento calefactor	5208-0073-000
4.	Capilar del elemento calefactor	5208-0072-000
5.	Interruptor basculante	S99814893A000
6.	Rejilla	1402-2154-001
7.	Luz indicadora	3510-2007-000
8.	Perilla del termostato	3301-2012-001
9.	Termostato	5813-2018-000
10.	Límite térmico con reposición manual	4520-11004-000
11.	Bornera	5823-0003-001
12.	Tornillo de soporte de cubierta	1215-0291-000
13.	Cubierta del compartimiento de control	1402-0336-000
14.	Perilla de la base	3301-2018-000
15.	Base portátil	5210-2000-004
16.	Arandela de caucho	W10814895A000
17.	Paleta del ventilador	1210-2000-000
18.	Motor	3900-2002-006
19.	Gabinete posterior	1425-2005-002
20.	Manguito de alivio de tensiones	25221-70011
21.	Divisor del compartimiento de cables	1614-2000-000
22.	Placa de cubierta de cables	4503-2010-002
23.	Soporte de montaje	1215-2001-002
24.	Retardo de ventilador	4520-0010-000





# MUH35D

## Radiateur de chauffage à air pulsé avec thermostat intégré

### Instructions d'installation, d'utilisation et d'entretien

#### Spécifications

Réf. de modèle	Volts	Watts	Ampères	Poids
MUH35D	240	5 kW Fort	21	22 lbs (10 kg)
		3.3 kW Faible	14	
	208	3.7 kW Fort	18	
		2.5 kW Faible	12	

## INSTRUCTIONS IMPORTANTES



### AVERTISSEMENT



LORS DE L'UTILISATION D'APPAREILS ÉLECTRIQUES, DES PRÉCAUTIONS DE BASE DOIVENT TOUJOURS ÊTRE SUIVIES AFIN DE RÉDUIRE LE RISQUE DE DÉPART D'INCENDIE, DE COMMOTION ÉLECTRIQUE ET DE BLESSURES AUX PERSONNES, INCLUANT CELLES QUI SUIVENT :

- Lisez toutes les instructions avant d'installer ou d'utiliser le radiateur.
- Ce radiateur est un produit commercial/industriel, non prévu pour une utilisation en résidentiel.
- Ce radiateur est chaud quand il est en fonctionnement. Pour éviter des brûlures, ne laissez pas de peau nue toucher ses surfaces chaudes. Maintenez les matières combustibles comme le mobilier, les oreillers, la literie, les papiers, les vêtements et les couvertures, à au moins 3 pieds (90 cm) de distance de l'avant du radiateur.
- Il faut faire très attention quand un radiateur quelconque est utilisé par des enfants ou des personnes invalides ou près d'eux, et à chaque fois que le radiateur est laissé en marche sans surveillance.
- Ce radiateur comporte des pièces intérieures brûlantes qui génèrent des arcs ou des étincelles électriques, il ne doit pas être utilisé dans des atmosphères dangereuses, où sont entreposés ou utilisés des vapeurs ou liquides inflammables, ou d'autres combustibles tels que définis par NEC (norme électrique américaine). La non-observation de cette consigne peut entraîner explosion ou départ d'incendie.
- N'utilisez plus un radiateur s'il a présenté des dysfonctionnements. Débranchez son alimentation au panneau de distribution du secteur et faites-le inspecter par un bon électricien avant de le réutiliser.
- Ne l'utilisez pas à l'extérieur.
- Pour déconnecter le radiateur, passez sa commande sur arrêt (Off) et coupez le secteur en amont au panneau de distribution.
- N'insérez pas d'objets étrangers, et ne permettez pas qu'il en entre, dans toute ouverture d'admission ou d'évacuation, car cela peut causer une commotion électrique ou un départ d'incendie, ou endommager le radiateur.
- Pour éviter un possible départ d'incendie, n'obstruez en aucune façon les admissions et les échappements d'air.
- N'utilisez ce radiateur que comme c'est décrit dans ce manuel. Toute autre utilisation non recommandée par le constructeur peut entraîner un départ d'incendie, une commotion électrique ou des blessures corporelles.
- Ce radiateur est fourni avec un avertisseur sonore qui ne retentira que si le radiateur a été coupé suite à une surchauffe. Si vous entendez cette alerte sonore, arrêtez immédiatement le radiateur et inspectez pour voir s'il y a des objets dessus ou à côté qui pourraient avoir bloqué le flux d'air ou avoir fait qu'une surchauffe soit survenue. **NE FAITES PAS FONCTIONNER LE RADIATEUR AVEC L'AVERTISSEUR SONORE ACTIVÉ.**
- Ce radiateur n'est pas prévu pour une utilisation dans des environnements spéciaux. Ne l'utilisez pas dans des lieux humides ou mouillés, tels que dans un contexte marin ou une serre, ou dans des endroits où il y a présence d'agents corrosifs ou chimiques.
- Lors de l'installation, voyez les INSTRUCTIONS D'INSTALLATION pour des mises en gardes et précautions supplémentaires.
- Pour un fonctionnement sûr et efficace, et pour prolonger sa durée de service, gardez votre radiateur propre – Voyez les INSTRUCTIONS D'ENTRETIEN.

**CONSERVEZ CES INSTRUCTIONS**

# INSTRUCTIONS D'INSTALLATION

## ⚠ AVERTISSEMENT ⚠

Pour éviter un possible départ d'incendie, des blessures corporelles ou des dommages au radiateur, respectez ces consignes :

1. Débranchez toute alimentation secteur arrivant au panneau de service principal avant de câbler ou d'intervenir pour du service.
2. Toutes les procédures de câblage et les raccordements doivent être en conformité avec les normes nationales et locales applicables, et le radiateur doit être relié à la terre.
3. Vérifiez que la tension du secteur arrivant au radiateur correspond bien aux valeurs spécifiées sur sa plaque signalétique.

**ATTENTION : ALIMENTER LE RADIATEUR AVEC UNE TENSION DÉPASSANT LA VALEUR IMPRIMÉE SUR LA PLAQUE SIGNALÉTIQUE ENDOMMAGERA LE RADIATEUR ET ANNULERA SA GARANTIE, ET CELA PEUT PROVOQUER UN DÉPART D'INCENDIE.**

4. **ATTENTION** – Température élevée et risque de départ d'incendie, gardez les cordons électriques, les draperies et textiles d'intérieur, et d'autres matières combustibles, à au moins 3 pieds (90 cm) de l'avant du radiateur. N'installez pas le radiateur derrière des portes, sous des porte-serviettes ou dans une zone où il est susceptible d'être bloqué par des meubles, des rideaux ou des matériaux de rangement. L'air chaud venant du radiateur peut endommager certains tissus et plastiques.
5. Pour réduire le risque de départ d'incendie, n'entreposez pas et n'utilisez pas d'essence ou d'autres produits inflammables sous forme de liquide ou de vapeurs à proximité du radiateur.
6. Quand le radiateur doit être monté sur un mur ou un plafond, les moyens d'ancrage doivent être assez solides pour supporter le poids total du radiateur plus les dispositifs de montage. Ne pas renforcer correctement les parties de support sur la structure du bâtiment peut faire que le chauffage tombera.
7. Les écartements suivants doivent être respectés :
  - Du bas du radiateur au sol, hauteur min. 6' (1 829 mm), hauteur max 15' (4 572 mm)
  - Des côtés du radiateur à un mur adjacent 8" (203 mm).
  - En cas de montage mural, du haut du radiateur au plafond 8" (203 mm)
  - En cas de montage au plafond, de l'arrière du radiateur au plafond 8" (203 mm)
8. N'utilisez pas ce radiateur pour faire sécher de la peinture, du plâtre. De la sciure ou de la poussière de ponçage de cloison sèche endommageraient de façon permanente le radiateur, et doivent être tenues à l'écart.

## Généralités

### Emplacement du radiateur

Ce radiateur comporte des commandes par l'utilisateur. Il peut être souhaitable de pouvoir atteindre ces commandes après l'installation.

La direction du flux d'air ne doit pas être gênée par des colonnes, des machines, etc., et le flux doit lécher les murs exposés plutôt que de souffler directement en les heurtant. Quand plus d'un radiateur est utilisé dans une zone, ils doivent être disposés de façon à ce que l'envoi d'air de chacun soutienne celui des autres, afin de fournir la meilleure circulation de l'air chaud.

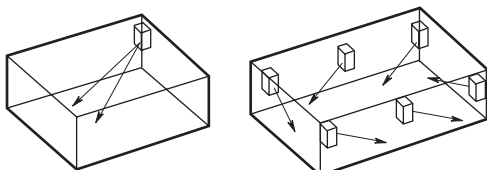


Figure 1

## Montage au plafond

Ce radiateur peut se monter sur n'importe quel plafond qui supportera son poids. Voyez la Figure 2.

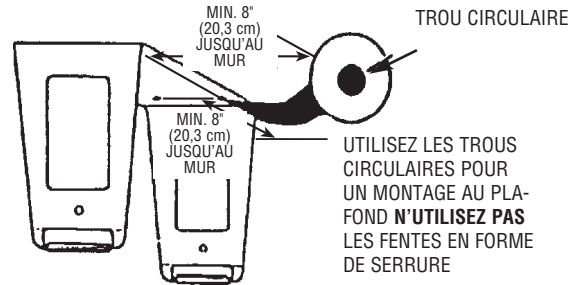


Figure 2

1. Commencez par enlever le pied de support du radiateur, puis ôtez quatre œilletons en caoutchouc du pied.
2. Fixez le pied sur des éléments d'ossature du plafond avec quatre boulons de diamètre 1/4" (non fournis). Dans une solive en bois utilisez des tire-fond de longueur 1-1/2". Dans des poutres en acier, utilisez des boulons mécaniques avec des écrous et des rondelles de sécurité. N'utilisez jamais de boulons de diamètre inférieur à 1/4".
3. Remplacez le radiateur sur le pied et serrez les boutons pour le maintenir en place. Deux grosses rondelles en caoutchouc se placent entre radiateur et pied, une de chaque côté.

## ⚠ AVERTISSEMENT ⚠

POUR ÉVITER UNE CHUTE POSSIBLE DU RADIATEUR, N'UTILISEZ PAS LES FENTES EN TROU DE SERRURE POUR UN MONTAGE AU PLAFOND.

## Montage au mur

Ce radiateur peut se monter sur n'importe quel mur qui supportera son poids. Voyez la Figure 3.

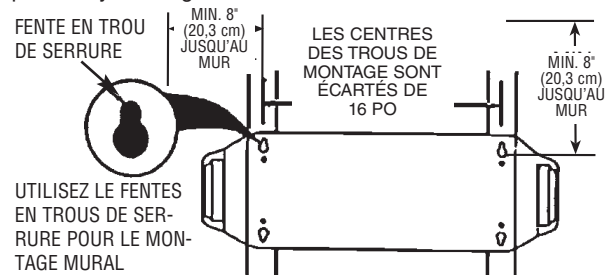


Figure 3

1. Commencez par enlever le pied de support du radiateur, puis ôtez quatre œilletons en caoutchouc du pied.
2. Fixez le pied sur des éléments d'ossature du plafond avec quatre boulons de diamètre 1/4" (non fournis). Dans des murs en maçonnerie utilisez des chevilles métalliques à expansion ou des boulons à barrette articulée. N'utilisez jamais de boulons de diamètre inférieur à 1/4".
3. Remplacez le radiateur sur le pied et serrez les boutons pour le maintenir en place. Deux grosses rondelles en caoutchouc se placent entre radiateur et pied, une de chaque côté.



## Câblage

### Matériel nécessaire (Voyez la Figure 4)

Vous aurez également besoin du matériel suivant que vous pouvez acheter dans votre quincaillerie locale ou dans un magasin de fournitures électriques.

- Suffisamment de fil de cuivre calibre 10 pour amener l'alimentation électrique du boîtier de distribution secteur au radiateur de chauffage. Ce fil de cuivre doit pouvoir supporter au moins 60 °C. **N'UTILISEZ PAS DE FIL EN ALUMINIUM POUR ALIMENTER CET APPAREIL.**
- Des connecteurs de fils appropriés pour votre application (Voyez les illustrations qui suivent).

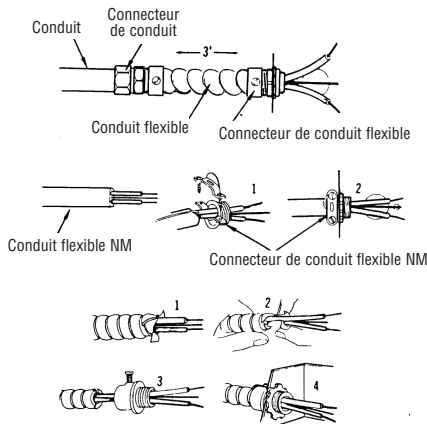


Figure 4 - Connecteurs, câble et matériel utilisés pour connecter le MUH35D

Pour certaines applications un conduit peut être nécessaire. Contrôlez le contenu des normes électriques locales. De plus, si vous passez le câblage dans un conduit et souhaitez pouvoir faire tourner le radiateur, assurez-vous d'acheter assez de conduit flexible pour que cela soit possible.

1. Desserrez les deux vis qui tiennent le couvercle du compartiment de câblage sur la zone en haut à droite à l'arrière du radiateur, et enlevez ce couvercle.
2. Fixez le connecteur de câble au couvercle comme c'est montré ci-dessus et glissez les fils calibre 10 au travers. Tirez suffisamment de fil au travers du connecteur pour réaliser les raccordements.
3. Connectez le câblage local à celui du radiateur comme c'est montré au schéma de câblage en Figure 5.
4. Une fois les câblages reliés, remettez le couvercle du compartiment de câblage et vous assurant de ne pincer aucun fil entre couvercle et radiateur. Serrez bien toutes les vis.

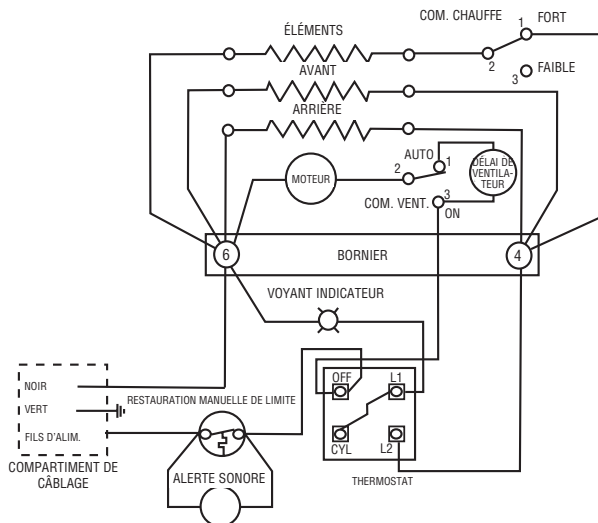


Figure 5 - Schéma de câblage

# INSTRUCTIONS D'UTILISATION

1. Le radiateur doit être correctement installé avant d'être mis en marche.
2. Pour faire fonctionner le radiateur, commencez par sélectionner le régime fort ou faible au sélecteur de chauffe, puis tournez le bouton du thermostat à fond en sens horaire. Le voyant indicateur va s'allumer et le rester aussi longtemps que le radiateur est en mode de fonctionnement.
3. Quand la température de la pièce aura atteint le niveau voulu, tournez lentement le bouton du thermostat en sens antihoraire jusqu'à l'audition d'un dé clic. Le voyant indicateur va rester allumé. Le radiateur va automatiquement effectuer des cycles d'activation/désactivation (ON/OFF) pour maintenir la température voulue.
4. Pour arrêter le radiateur, tournez le bouton du thermostat à fond en sens antihoraire jusqu'à l'extinction du voyant indicateur.
5. Le sélecteur de mode de ventilation permet de faire commuter le fonctionnement entre continu et par cycles, en choisissant respectivement les positions ON ou "Auto".
6. Il peut être nécessaire de réajuster le thermostat une ou deux fois jusqu'à ce que la température exacte de confort soit obtenue. Une rotation en sens horaire va augmenter la durée pendant laquelle le radiateur va chauffer. Une rotation en sens antihoraire va réduire la durée de fonctionnement du radiateur.

**Temporisation automatique de ventilateur :** Ce radiateur comporte une temporisation automatique sur le départ/l'arrêt de la ventilation. Quand le thermostat demande de la chaleur, le démarrage du ventilateur est retardé momentanément jusqu'à ce que les éléments aient chauffé. Quand la demande du thermostat est satisfaite, le ventilateur continue de tourner jusqu'au refroidissement de l'élément de chauffe. Cette action évite la circulation d'air froid au démarrage et l'exposition du radiateur à une surchauffe par la chaleur résiduelle, ce qui fournit un plus haut niveau de confort et prolonge la durée de service des éléments de chauffe.

**REMARQUE :** Pour obtenir les meilleurs résultats, le radiateur doit rester en marche (ON) en permanence durant la saison de chauffage, du fait que le thermostat quand il est bien réglé maintiendra la température désirée. Mis en position antihoraire à fond, le radiateur restera arrêté jusqu'à ce que la température ambiante retombe bien au delà du niveau de gel.

### Comment restaurer le fonctionnement – Contrôle de sécurité sur température :

#### ⚠ AVERTISSEMENT ⚠

NE TOUCHEZ PAS ET NE CONTOURNEZ PAS LES LIMITES DE SÉCURITÉ À L'INTÉRIEUR DU RADIATEUR

Votre radiateur est équipé d'un dispositif thermique de sécurité, réenclenchable manuellement, qui coupe automatiquement le radiateur pour éviter un départ d'incendie en cas de surchauffe. Ce contrôle est situé à l'avant du radiateur, juste au-dessus du thermostat, avec la mention "PUSH TO RESET" (Pousser pour réenclencher). Pour relancer après une coupure, laissez le radiateur refroidir puis poussez simplement sur le bouton rouge jusqu'à ce qu'il s'enclenche. Le radiateur doit immédiatement revenir en fonctionnement normal.

#### ATTENTION ⚠

NE CONTINUEZ PAS D'ESSAYER D'UTILISER LE RADIATEUR SI SON CONTRÔLE DE SÉCURITÉ SE DÉCLENCHÉ À RÉPÉTITION APRÈS SA RESTAURATION. EN LE FAISANT VOUS POURRIEZ L'ENDOMMAGER DE FAÇON IRRÉMÉDIABLE OU CAUSER UN DÉPART D'INCENDIE OU DES RISQUES POUR LA SÉCURITÉ.

Il est important de garder propre ce radiateur. Votre radiateur vous fournira des années de bon service et de confort avec juste un minimum de soins. Pour assurer son fonctionnement efficace, suivez les instructions simples ci-dessous :

# INSTRUCTIONS D'ENTRETIEN

Il est important de garder propre ce radiateur. Votre radiateur vous fournira des années de bon service et de confort avec juste un minimum de soins. Pour assurer son fonctionnement efficace, suivez les instructions simples ci-dessous :

## ⚠ AVERTISSEMENT ⚠

TOUTE INTERVENTION DE SERVICE AU-DELÀ D'UN SIMPLE NETTOYAGE, QUI NÉCESSITE UN DÉMONTAGE, DEVRA ÊTRE RÉALISÉE PAR DU PERSONNEL DE SERVICE QUALIFIÉ.

## ⚠ AVERTISSEMENT ⚠

POUR RÉDUIRE LE RISQUE DE DÉPART D'INCENDIE ET DE COMMOTION ÉLECTRIQUE OU DE BLESSURE, DÉBRANCHEZ TOUTE ALIMENTATION ÉLECTRIQUE ALLANT AU RADIATEUR EN AMONT AU PANNEAU DE SERVICE, ET VÉRIFIEZ QUE L'ÉLÉMENT DE CHAUFFE EST FROID AVANT D'INTERVENIR POUR DU SERVICE OU DE L'ENTRETIEN.

## ⚠ AVERTISSEMENT ⚠

TOUTE INTERVENTION DE SERVICE AU-DELÀ D'UN SIMPLE NETTOYAGE, QUI NÉCESSITE UN DÉMONTAGE, DEVRA ÊTRE RÉALISÉE PAR DU PERSONNEL DE SERVICE QUALIFIÉ.

## ⚠ AVERTISSEMENT ⚠

POUR RÉDUIRE LE RISQUE DE DÉPART D'INCENDIE ET DE COMMOTION ÉLECTRIQUE OU DE BLESSURE, DÉBRANCHEZ TOUTE ALIMENTATION ÉLECTRIQUE ALLANT AU RADIATEUR EN AMONT AU PANNEAU DE SERVICE, ET VÉRIFIEZ QUE L'ÉLÉMENT DE CHAUFFE EST FROID AVANT D'INTERVENIR POUR DU SERVICE OU DE L'ENTRETIEN.

### Instructions de nettoyage par l'utilisateur :

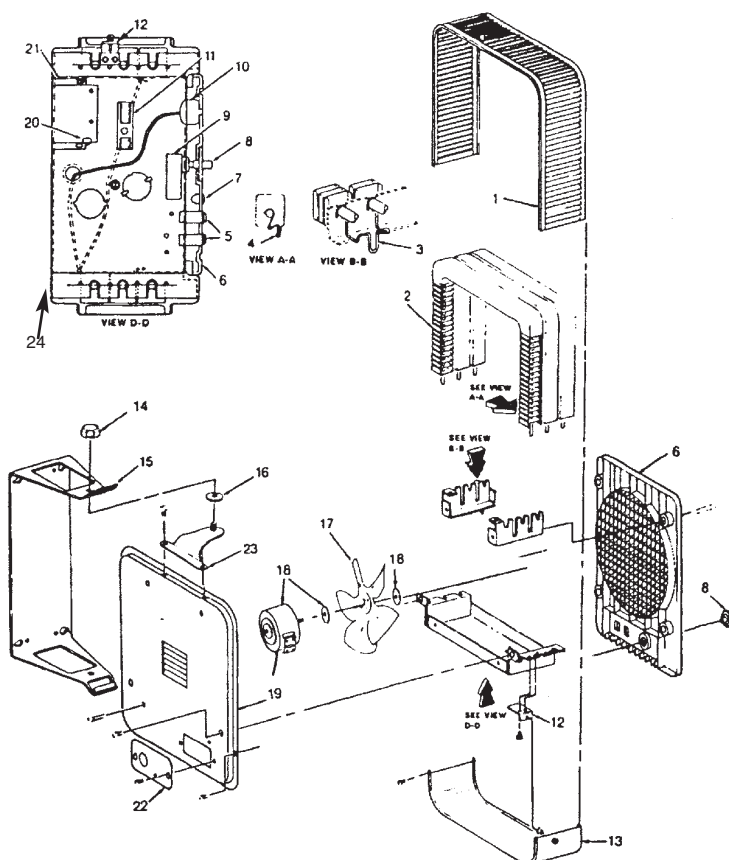
1. Une fois que le radiateur est froid, vous pouvez utiliser un aspirateur avec son accessoire brosse pour éliminer la poussière et les peluches des surfaces extérieures du radiateur, y compris les ouvertures de la grille.
2. Avec un chiffon humide, enlevez poussière et peluche de la grille et des surfaces extérieures.
3. Remettez le radiateur sous tension et vérifiez son bon fonctionnement.

### Instructions de nettoyage par l'utilisateur :

1. Une fois que le radiateur est froid, vous pouvez utiliser un aspirateur avec son accessoire brosse pour éliminer la poussière et les peluches des surfaces extérieures du radiateur, y compris les ouvertures de la grille.
2. Avec un chiffon humide, enlevez poussière et peluche de la grille et des surfaces extérieures.
3. Remettez le radiateur sous tension et vérifiez son bon fonctionnement.

### Pièces de rechange

RÉFÉRENCE	DESCRIPTION	N° DE PIÈCE
1.	Protection, élément	2504-0011-001
2.	Ensemble d'éléments	1802-0087-032
3.	Ressort, élément	5208-0073-000
4.	Ressort, capillaire	5208-0072-000
5.	Commutateur, bascule	S99814893A000
6.	Grille	1402-2154-001
7.	Voyant indicateur	3510-2007-000
8.	Bouton de thermostat	3301-2012-001
9.	Thermostat	5813-2018-000
10.	Restauration manuelle de limite	4520-11004-000
11.	Bornier	5823-0003-001
12.	Support, vis de couvercle	1215-0291-000
13.	Couvercle, composant de contrôle	1402-0336-000
14.	Bouton, socle	3301-2018-000
15.	Socle, portable	5210-2000-004
16.	Rondelle en caoutchouc	W10814895A000
17.	Pale de ventilateur	1210-2000-000
18.	Moteur	3900-2002-006
19.	Arrière de carter	1425-2005-002
20.	Bague serre-câble	25221-70011
21.	Compartiment de câblage Séparateur	1614-2000-000
22.	Plaque de couverture de câblage	4503-2010-002
23.	Support de montage	1215-2001-002
24.	Temporisation de ventilation	4520-0010-000







## GARANTÍA LIMITADA

Todos los productos fabricados por Marley Engineered Products están garantizados contra defectos de fabricación y de materiales por un año desde la fecha de instalación, a excepción de los elementos calefactores, que están garantizados contra defectos de fabricación y de materiales por cinco años desde la fecha de instalación. Esta garantía no se aplica a daños debidos a accidente, mal uso o alteración, ni a los casos en que la tensión eléctrica conectada supere a la tensión nominal -indicada en la placa de características- en más de 5 %, ni a equipos que hayan sido instalados o cableados incorrectamente, o mantenidos en forma que no cumpla lo indicado en las instrucciones de instalación del producto. Todo reclamo por trabajos en garantía debe acompañarse con una prueba de la fecha de instalación.

El cliente será responsable de todos los costos incurridos en el retiro o reinstalación de productos, incluyendo los costos de mano de obra y los costos de envío incurridos para regresar productos a un Centro de Servicio de Marley Engineered Products. Dentro de las limitaciones de esta garantía, las unidades que no funcionan deben regresarse al centro de servicio autorizado Marley más cercano, o al Centro de Servicio de Marley Engineered Products, y nosotros lo repararemos o reemplazaremos, a nuestra opción, sin cargo para usted, con el flete de retorno pagado por Marley. Se acuerda que tal reparación o reemplazo es el único recurso que Marley Engineered Products pone a su disposición.

LAS GARANTÍAS EXPUESTAS MÁS ARRIBA TOMAN EL LUGAR DE TODA OTRA GARANTÍA, EXPRESA O IMPLÍCITA, Y POR LA PRESENTE SE DECLINA Y EXCLUYE DE ESTE ACUERDO TODA GARANTÍA IMPLÍCITA DE COMERCIABILIDAD Y ADECUACIÓN A UN PROPÓSITO PARTICULAR QUE EXCEDA LAS GARANTÍAS EXPRESAS ANTEDICHAS. MARLEY ENGINEERED PRODUCTS NO SE HARÁ RESPONSABLE POR DAÑOS CONSIGUIENTES QUE SE PRODUZCAN CON RESPECTO AL PRODUCTO, EN BASE YA SEA A NEGLIGENCIA, AGRAVIO, RESPONSABILIDAD ESTRICTA, O CONTRATO.

Algunos estados o jurisdicciones no permiten la exclusión o limitación de daños incidentales o consiguientes, de modo que la exclusión o limitación expresada más arriba puede no aplicarse a su caso. Esta garantía le da derechos legales específicos, y usted puede tener también otros derechos, que varían de un estado o jurisdicción a otro.

Para obtener la dirección de su centro de servicio autorizado más cercano comuníquese con Marley Engineered Products en Bennettsville, SC, Estados Unidos, llamando al 1-800-642-4328. Toda mercadería regresada a la fábrica debe ser acompañada por una autorización de retorno y una etiqueta de identificación de servicio, disponibles ambas en Marley Engineered Products. Cuando solicite la autorización de retorno, incluya todos los números de catálogo mostrados en los productos.

## GARANTIE LIMITÉE

Tous les produits fabriqués par Marley Engineered Products sont garantis contre des défauts dus à la main d'oeuvre et aux matériaux pendant un an à partir de la date d'installation, sauf les éléments de chauffe qui sont garantis de la même façon pendant cinq ans. Cette garantie ne s'applique pas pour des dommages résultant d'accident, de mésusage ou d'altération ; ni si la tension secteur envoyée fait 5 % ou plus au-dessus de la tension nominale de la plaque signalétique ; ni sur l'équipement est incorrectement installé ou câble, en violation avec les instructions d'installation.

Toutes les demandes d'exercice de la garantie devront être accompagnées de la preuve de date d'installation. Le client doit être responsable de tous les coûts occasionnés pour le démontage ou la réinstallation des produits, incluant les coûts de main-d'oeuvre, et les coûts d'expédition pour renvoyer les produits au centre de service de Marley Engineered Products. Dans le cadre des limitations de cette garantie, les unités ne fonctionnant pas doivent être renvoyées au centre de service agréé Marley le plus proche, ou directe au centre de service de Marley Engineered Products, où ils seront réparés ou remplacés, à notre choix, sans frais pour vous avec le port de retour payé par Marley. Il est convenu que cette réparation ou ce remplacement sera le seul remède à attendre de Marley Engineered Products.

LES GARANTIES QUI PRÉCÈDENT TIENNENT LIEU DE TOUTES LES AUTRES GARANTIES, EXPLICITES OU IMPLICITES, ET TOUTES LES GARANTIES IMPLICITES DE VALEUR MARCHANDE ET D'ADÉQUATION POUR UNE FINALITÉ SPÉCIFIQUE QUI EXCÉDERAIENT LES DISPOSITIONS DE GARANTIE PRÉCÉDEMMENT ÉNONCÉES SONT ICI REJETÉES ET EXCLUES DE CET ACCORD. MARLEY ENGINEERED PRODUCTS NE SERA PAS TENU POUR

RESPONSABLE DES DOMMAGES CONSÉCUTIFS SURVENANT EN RELATION AVEC LE PRODUIT, QU'ILS SOIENT À BASE DE NÉGLIGENCE, TORT, RESPONSABILITÉ PURE OU CONTRACTUELLE.

Certaines provinces ne permettent pas l'exclusion ou la limitation des dommages consécutifs ou annexes, de ce fait l'exclusion ou la limitation qui précède peut ne pas s'appliquer à votre cas. Cette garantie vous donne des droits légaux spécifiques, qui varient d'une province à l'autre.

Pour obtenir l'adresse de votre centre de service agréé le plus proche, contactez Marley Engineered Products à Bennettsville, SC, USA, au 1-800-642-4328.

Toute marchandise retournée à l'usine doit être accompagnée d'une autorisation de renvoi et d'une étiquette d'identification pour le service, ces deux documents étant disponibles auprès de Marley Engineered Products. En demandant une autorisation de retour, fournissez tous les numéros de catalogue indiqués sur les produits.

### COMMENT OBTENIR DU SERVICE ET DES PIÈCES DANS LE CADRE DE LA GARANTIE ET DES INFORMATIONS GÉNÉRALES

- |  |                          |
|--|--------------------------|
| 1. Service ou pièces sous garantie         | <b>1-800-642-4328</b>    |
| 2. Achat de pièces de remplacement         | <b>1-800-654-3545</b>    |
| 3. Informations générales sur les produits | <b>www.marleymep.com</b> |

**Remarque :** Pour obtenir le service sous garantie vous devez toujours avoir préparé :

1. Référence de modèle du produit
2. Date de fabrication
3. Numéro ou description de pièce



**Marley**  
Engineered Products

470 Beauty Spot Rd. East  
Bennettsville, SC 29512 USA