



SMARTSERIES[®]
by QMARK

Ready, Set, Go Programming

Architectural Programmable Wall Heater



- ▶ **5 DAY / 2 DAY PROGRAMMING**
- ▶ **BUILDING MANAGEMENT SYSTEM CONNECTION**
- ▶ **SECURITY LOCKOUT FUNCTION**
- ▶ **'RIGHT OUT OF THE BOX' SET-UP**
- ▶ **APPLICATIONS INCLUDE:**
 - RESTAURANTS
 - HOTELS
 - CONFERENCE ROOMS
 - ATRIUM
 - RESIDENTIAL
 - ... AND MUCH MORE



green  wizard

 **SMART[™]**
ENERGY SAVER



SMARTSERIES[™]
www.smartseriesheat.com

OUTSMART THE COMPETITION

OUTSMART THE COMPETITION

SELECTION CHART

CATALOG NUMBER	UPC	VOLTS	WATTS	MAX AMPS	MAX BTUHR
SSAR1802	6 85360 15683 5	120	540 - 1800	15	6,142
SSAR4808	6 85360 15675 0	208	1800 - 4800	23.1	16,378
SSAR4804	6 85360 15678 1	240	1800 - 4800	20.0	16,378
SSAR4807	6 85360 15679 8	277	1800 - 4800	17.3	16,378

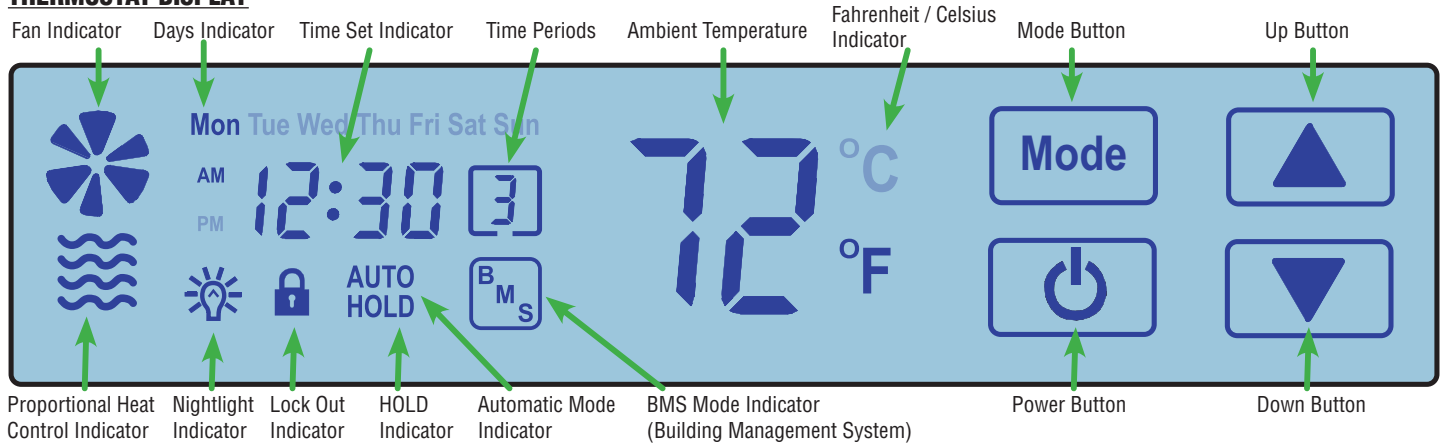
SURFACE MOUNTING FRAMES

HTWHSM	6 85360 15545 6	Surface Mounting Frame 16-1/4" W x 19-3/8" H x 3-7/8" D
HTWHS1	6 85360 15548 7	1" Semi-Recess Mounting Frame 16-1/4" W x 19-3/8" H x 1" D
HTWHS2	6 85360 15551 7	2" Semi-Recess Mounting Frame 16-1/4" W x 19-3/8" H x 2" D

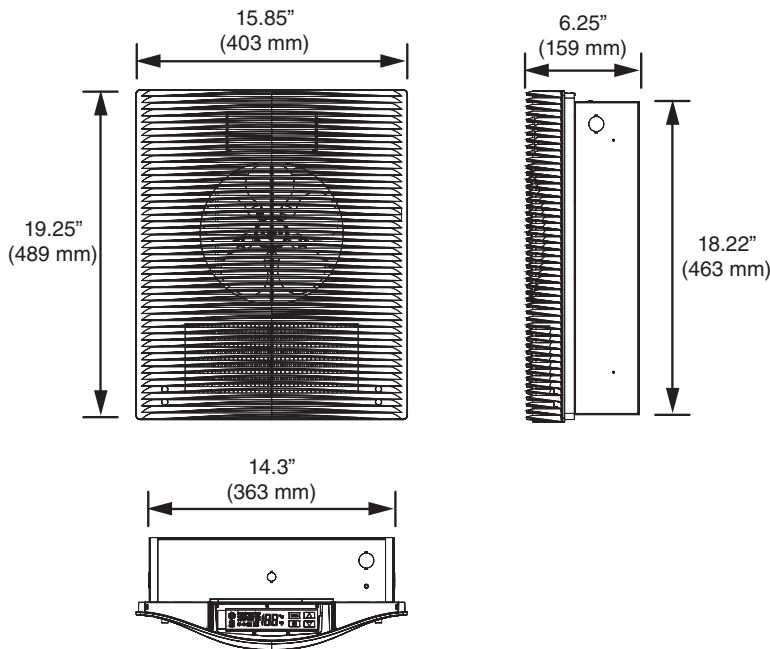
Note: Standard grille color is northern white.

Add W (Navajo White), AL (Aluminum) or BZ (Bronze) suffix to catalog number. Example: SSAR4008W. Allow two weeks delivery for models with special color. See Color Selection Chart for custom colors.

THERMOSTAT DISPLAY



DIMENSIONS



FEATURES

- ▶ 100% Energy Efficient - heater automatically adjusts wattage output
- ▶ 5 day / 2 day Programming
- ▶ Security Lockout feature
- ▶ Unique Styling - No other heater in the market comes close to the unique styling of the SmartSeries®
- ▶ Fan only mode (no heat) for supplemental ventilation
- ▶ On / Off switch
- ▶ BMS feature allows connection to Building Management Systems (Dry contact)
- ▶ Easy to use LCD touch screen, with night light feature
- ▶ Remote control to make adjustments anywhere in the room
- ▶ 2-piece construction for easy installation
- ▶ Precise heat output within 1.5°F of set temperature
- ▶ Thermostat range 40°-99°F (4°-37°C)
- ▶ 5-Year Element Warranty

MOUNTING LIMITATIONS

Do not install heater closer than 12" to the floor, 12" to an adjacent wall, 36" to the ceiling. Do not install heater behind towel rack or door, upside down or sideways, in the floor, in the ceiling, or in closets.