

## ARCHITECTURAL FAN FORCED WALL HEATERS

# CWH Series



### CONTEMPORARY DESIGN

- Bar-stock grille designed to provide optimized airflow



### TAMPER RESISTANCE

- Closely spaced louvers discourage insertion of foreign objects
- Tamper-proof thermostat with the range of 40° - 90°F, adjustable with a narrow blade screw driver through the louvers



### UNIFORM DISTRIBUTION OF WARMTH

- Built-in fan delay switch energizes fan motor only after elements are heated, which prevents discharge of unheated air



### SAFETY STANDARDS COMPLIANT

- Safety listed by Intertek (ETL) for use in the USA and Canada complying with ANSI/UL2021 and CSA C22.2, NO. 46 Safety Standards
- Manual reset thermal overload protector disconnects power in the event of overheating due to accidental blockage
- Backup end of life thermal fuse for additional safety



### DURABILITY AND EASY MAINTENANCE

- All units have a permanently lubricated, totally enclosed fan motor, with rugged aluminum blade which creates long life and low maintenance, gently distributes warmth throughout the area

## APPLICATIONS:

Commercial Buildings

Entryways

Hotels

Offices

Restaurants

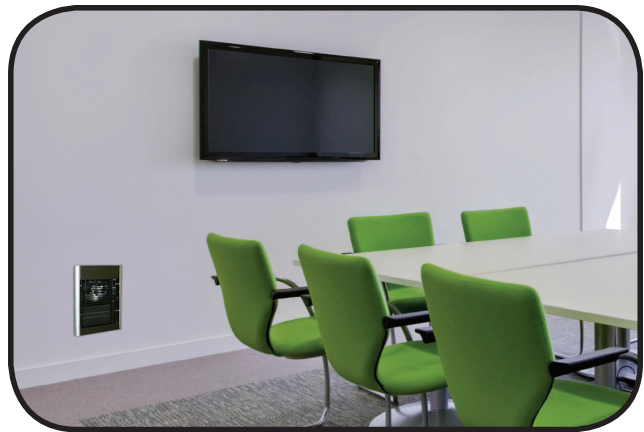
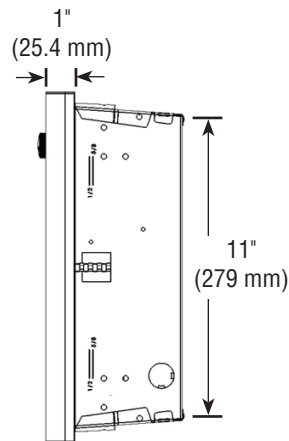
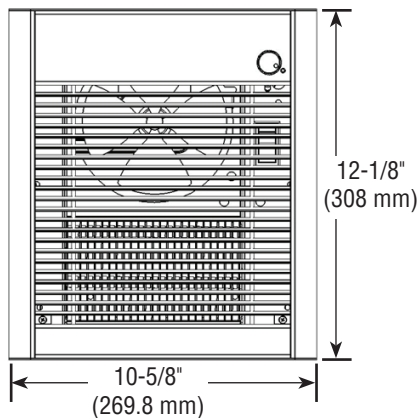
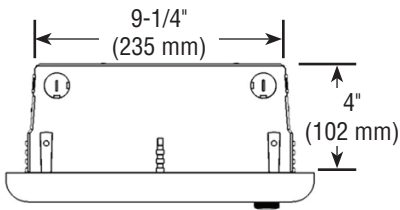
Stores

## SELECTION CHART

CATALOG NUMBER	VOLTS	AMPS	WATTS	BTU/HR.	WIRE SIZE
CWH1101DSAF	120	8.4	1000	3413	14 AWG
		4.2	500	1706	
CWH1151DSAF	120	12.5	1500	5120	12 AWG
		6.25	750	2560	
CWH1201DSAF	120	15	1800	6143	12 AWG
CWH1202DSAF	240	8.4	2000	6826	14 AWG
		4.2	1000	3413	
	208	7.3	1500	5120	
		3.61	750	2560	
CWH1207DSAF	277	7.3	2000	6826	14 AWG
		3.61	1000	3413	
	240	6.25	1500	5120	
		3.2	750	2560	
CWH1157DSAF	277	5.5	1500	5120	14 AWG
		2.75	750	2560	
	240	4.7	1125	3840	
		2.35	562	1920	
CWH1208DSAF	208	9.6	2000	6826	14 AWG
		4.8	1000	3413	

CATALOG NUMBER	DESCRIPTION
CWHSMAG	Surface Mounting Frame (Accessory). Order separately. 12-1/2"H x 10-3/8"W x 4"D
CWHS1AG	1" Semi-recess Mounting Frame, 12-1/2"H x 10-3/8"W x 1"D
CWHS2AG	2" Semi-recess Mounting Frame, 12-1/2"H x 10-3/8"W x 2"D

## DIMENSIONS



## MOUNTING LIMITATIONS

1. Do not install heater closer than 4" from floor.
2. Do not install heater behind towel rack, behind door, in floor, in ceiling, in closet, or where air flow may be obstructed.
3. Requires 3 wires if remote thermostat is desired.



Conforms to ANSI/UL2021  
and CSA C22.2, No. 46